



**YAMAHA**

**PARTS LIST**

**YAMAHA BOP**

**MODEL LB-3M**

**(TYPE 1V3)**

**FOR EUROPE**

**YAMAHA MOTOR CO., LTD.**

COPY RIGHT: ALL RIGHTS RESERVED

NO PART OF THIS PUBLICATION MAY BE REPRODUCED WITHOUT PERMISSION.

1016202/6

FOREWORD

This Parts List refers to parts to use for the YAMAHA BOP 100 LB-3M. When you replace parts, refer to this Parts List correctly.



1. Structure  
Yamaha  
and  
Go  
Mo  
Eac  
Desi  
Desi  
Colo

Standard Parts

Major classification

Type

Material, surface finish

Shape, size

Note



2. How to Use

(1) Except

size of s

Howe (m

O-ring

Washer, s

(2) Parts, which are to be supplied in the form of assemblies, are

listed with an insertion of one letter + space, and a dot (.) is put

## FOREWORD

This Parts List related to the parts in use for the YAMAHA BOP LB-3M. When you are ordering replacement parts for the LB-3M, refer to this Parts List and quote both part numbers and part names correctly.

### 1. Structure of Part No.

Yamaha parts are divided largely into two categories; general parts and standard parts, and each part No. has the following structure:

General Parts      ○○○○ - ○○○○○○ - ○○○-○○○

Model code No. \_\_\_\_\_

Basic code No. \_\_\_\_\_

Design code No. \_\_\_\_\_

Design change code No. \_\_\_\_\_

Color code No. \_\_\_\_\_

Standard Parts      ⑨ ○○○○○○ - ○○○○○○

Major classification \_\_\_\_\_

Type \_\_\_\_\_

Material, surface finish \_\_\_\_\_

Shape, size \_\_\_\_\_

Note: Every standard No. begins with 9.

### 2. How to Use this Parts List

- (1) Except for steel balls (whose size is indicated in inches), the size of all parts is indicated in millimeters in the following manner.

Hose (rubber or vinyl) . . . . Inside diameter - length

O-ring . . . . . Section area - inside diameter

Washer, shim, collar . . . . . Inside diameter - outside diameter - thickness (length)

- (2) Parts, which are to be supplied in the form of assemblies, are listed with an indention of one letter's space, and a dot (.) is put



against the name of each part. If any two different assemblies (e. g., right and left side components) consist of almost the same type components, these two assemblies are listed in two lines, and then the names of component parts are listed in the subsequent lines with an indentation as mentioned earlier. The quantity of parts is given in the following manner; that is, in the case of parts being the same in type between the right and left, a total quantity of parts is given. On the other hand, if the right and left side parts are different in type, the quantity of part(s) on each side is given.

Example	Description	Q'ty
	CARBURETOR ASS'Y, left	1
	CARBURETOR ASS'Y, right	1
	. JET, pilot	2
	. NOZZLE, main	2
	⋮	
	. LEVER, starter, left	1
	. LEVER, starter, right	1

(3) Key to Symbols

- U. R. . . . . Use size (thickness) and/or number as required
- U. N. . . . . Use as many as you need
- T . . . . . Number of teeth in a gear
- V . . . . . Voltage for light bulbs
- S . . . . . "S" type oil seal or "S" type circlip
- SD . . . . . "SD" type oil seal
- SO . . . . . "SO" type oil seal
- SW . . . . . "SW" type oil seal
- E . . . . . "E" type circlip
- R . . . . . "R" type circlip
- F/No. . . . . Frame No. (Applicable machine No.)

- (4) The parts marked with "X" in your country column are exclusive for your country, therefore, you should place an order only those parts. Meanwhile, the other parts are common for all European countries, and then we do not mention the names of countries.
- (5) The parts marked with \* in the remark column of this list are not supplied with by Yamaha, those have to be found locally.
- (6) Please be advised that we supply you with Head Lamp Unit Ass'y and Flasher Lamp Ass'y without bulbs.
- (7) The right and left in relation to parts are determined on the basis of the rider facing toward the front.
- (8) This Parts List is based on the model in the production line on Nov., 20, 1976. Accordingly, if any modifications which have been made to parts will be announced in the Yamaha Parts News. It is advisable that according to the Yamaha Parts News, you will make necessary corrections to the Parts List on hand to keep it up-to dated.

CHASSIS

Fig. 14	Frame	33
Fig. 15	Rear Arm - Rear Cushion - Chain Case	37
Fig. 16	Stand - Footrest - Brake Pedal	39
Fig. 17	Front Fender - Rear Fender	41
Fig. 18	Front Fork	43
Fig. 19	Steering	47
Fig. 20	Handle - Wire	49
Fig. 21	Foot Rest	51
Fig. 22	Oil Tank	53
Fig. 23	Seat	55
Fig. 24	Front Wheel	57
Fig. 25	Rear Wheel	59
Fig. 26	Head Lamp - Speedometer	61



# CONTENTS

## ENGINE

Fig. 1	Crankcase · Cylinder	1
Fig. 2	Crankcase Cover	3
Fig. 3	Crank · Piston	5
Fig. 4	Clutch	9
Fig. 5	Transmission	11
Fig. 6	Shifter 1	13
Fig. 7	Shifter 2	15
Fig. 8	Kick Starter	17
Fig. 9	Intake	19
Fig. 10	Carburetor	21
Fig. 11	Exhaust	25
Fig. 12	Oil Pump	27
Fig. 13	Flywheel Magneto	29

## CHASSIS

Fig. 14	Frame	33
Fig. 15	Rear Arm · Rear Cushion · Chain Case	37
Fig. 16	Stand · Footrest · Brake Pedal	39
Fig. 17	Front Fender · Rear Fender	41
Fig. 18	Front Fork	43
Fig. 19	Steering	47
Fig. 20	Handle · Wire	49
Fig. 21	Fuel Tank	51
Fig. 22	Oil Tank	53
Fig. 23	Seat	55
Fig. 24	Front Wheel	59
Fig. 25	Rear Wheel	63
Fig. 26	Head Lamp · Speedometer	67

Fig. 27	Tail Lamp	71
Fig. 28	Flasher Lamp 1	73
Fig. 29	Flasher Lamp 2	75
Fig. 30	Electrical	77

**REPAIR KIT**

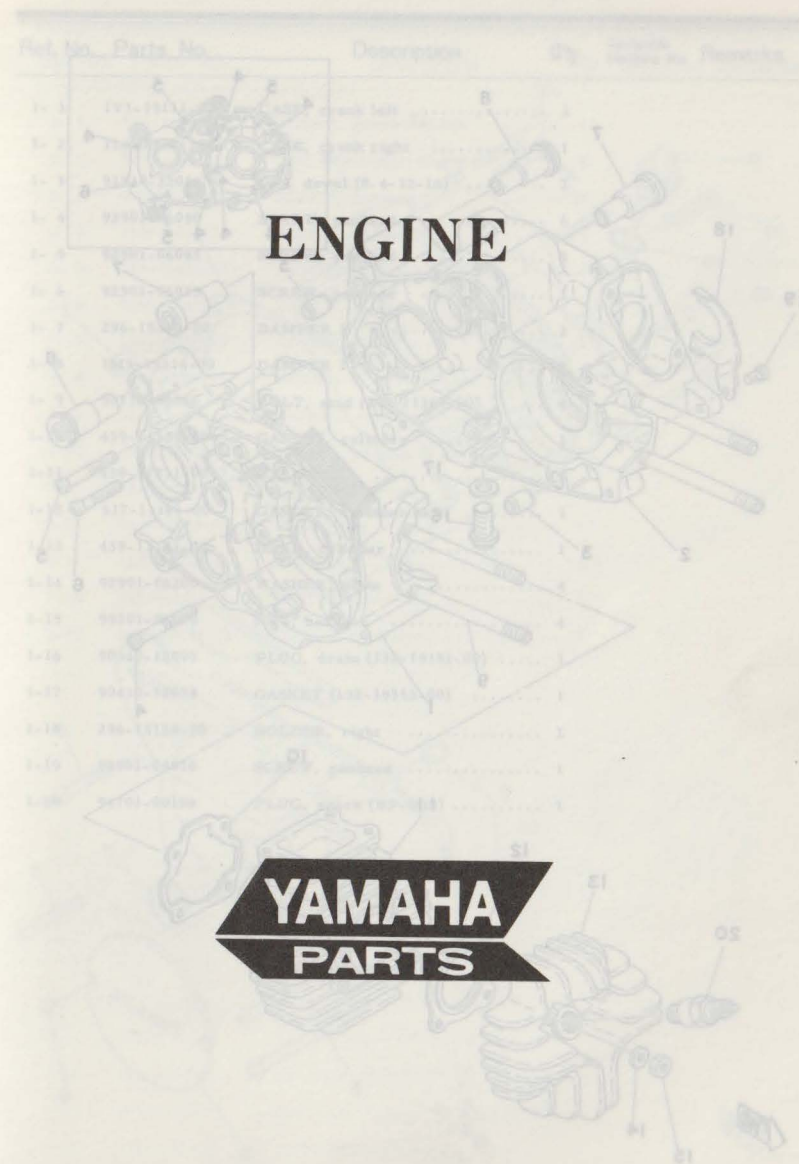
Fig. 31	Repair Kit	83
---------	------------	----

**NUMERICAL INDEX**

Fig. 13	Flywheel Magneto	29
Fig. 15	Oil Pump	31
Fig. 11	Exhaust	25
Fig. 10	Carburetor	21
Fig. 9	Intake	19
Fig. 8	Rick Starter	17
Fig. 7	Shifter 5	15
Fig. 6	Shifter 1	13
Fig. 5	Transmission	11
Fig. 4	Crank - Piston	9
Fig. 3	Crankcase Cover	7
Fig. 26	Head Lamp - Speedometer	67
Fig. 25	Rear Wheel	63
Fig. 24	Front Wheel	59
Fig. 23	Seat	55
Fig. 22	Oil Tank	53
Fig. 21	Fuel Tank	51
Fig. 20	Handle - Wire	49
Fig. 19	Steering	47
Fig. 18	Front Fork	43
Fig. 17	Front Fender - Rear Fender	41
Fig. 16	Stand - Footrest - Brake Pedal	39
Fig. 15	Rear Airin - Rear Cushion - Chain Case	37
Fig. 14	Frome	33

**CHASSIS**

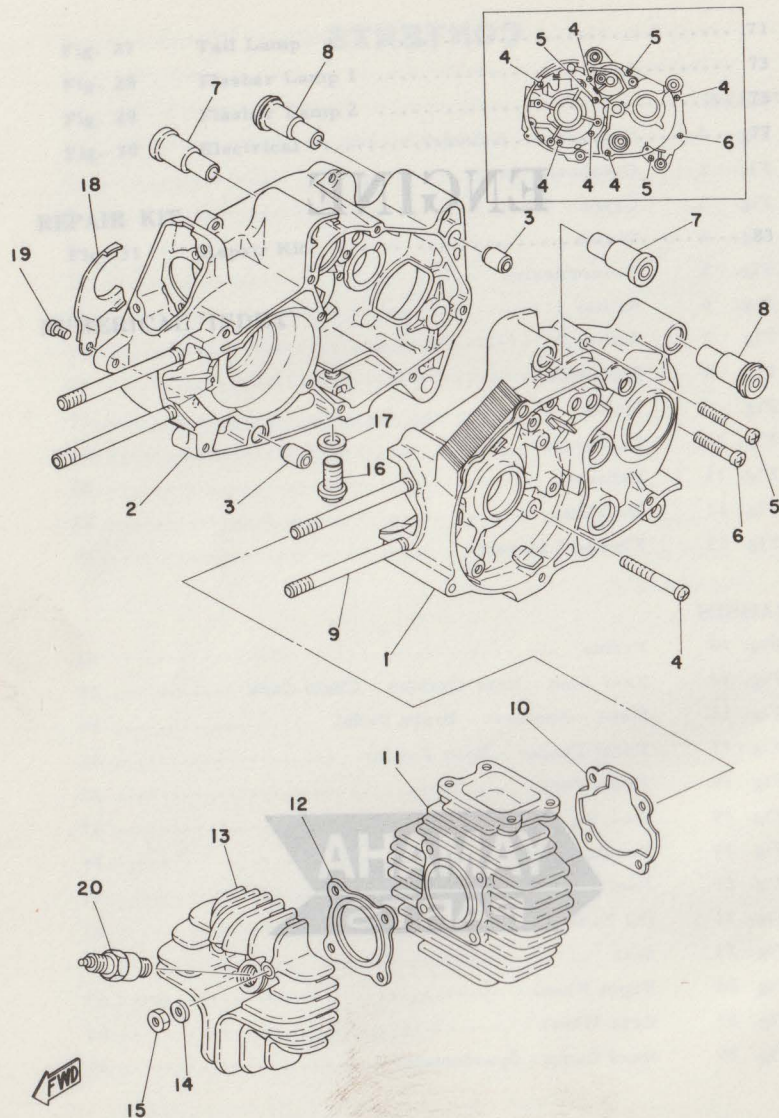
Fig. 1 CRANKCASE - CYLINDER



**YAMAHA**  
**PARTS**



Fig. 1 CRANKCASE · CYLINDER

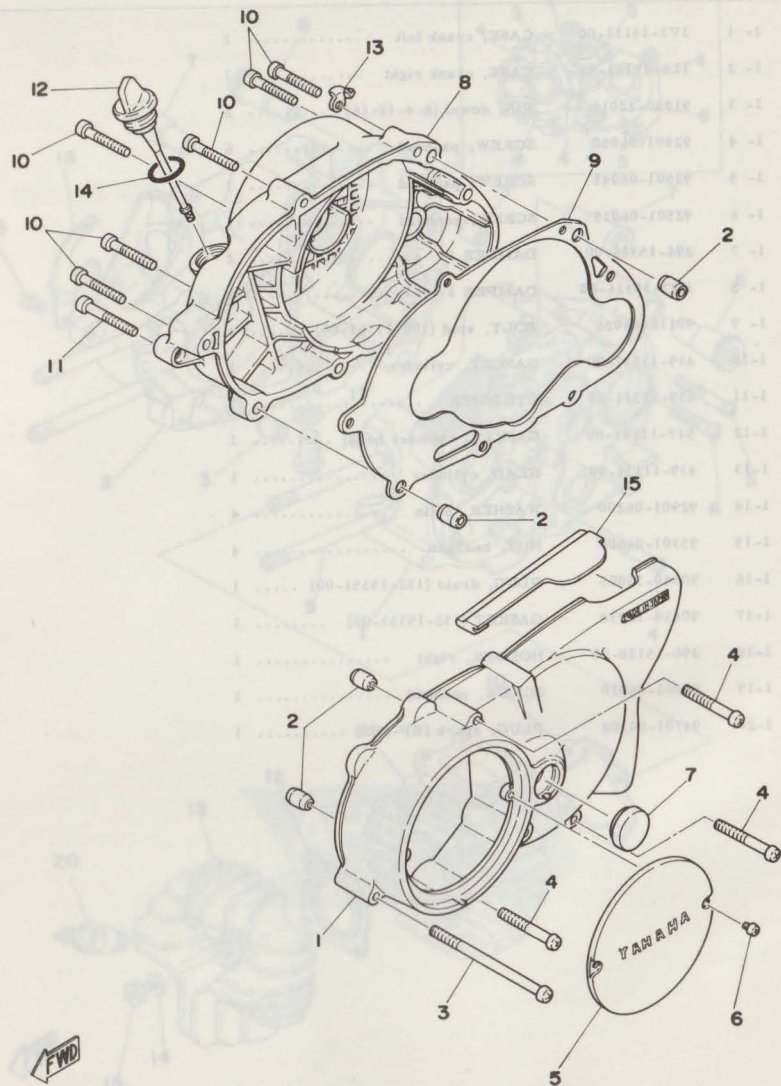


CRANKCASE · CYLINDER

Ref. No.	Parts No.	Description	Q'ty	Applicable Machine No.	Remarks
1- 1	1V3-15111-00	CASE, crank left	1		
1- 2	1L6-15121-02	CASE, crank right	1		
1- 3	91830-22016	PIN, dowel (8.4-12-16)	2		
1- 4	92501-06050	SCREW, panhead	6		
1- 5	92501-06045	SCREW, panhead	3		
1- 6	92501-06035	SCREW, panhead	1		
1- 7	296-15316-00	DAMPER 1	2		
1- 8	1M3-15316-00	DAMPER 1	2		
1- 9	90116-06026	BOLT, stud (109-11361-00)	4		
1-10	439-11351-00	GASKET, cylinder	1		
1-11	439-11311-00	CYLINDER	1		
1-12	517-11181-00	GASKET, cylinder head	1		
1-13	439-11111-00	HEAD, cylinder	1		
1-14	92901-06200	WASHER, plain	4		
1-15	95301-06600	NUT, hexagon	4		
1-16	90340-12005	PLUG, drain (132-15351-00)	1		
1-17	90430-12038	GASKET (132-15353-00)	1		
1-18	296-15128-00	HOLDER, right	1		
1-19	92501-08010	SCREW, panhead	1		
1-20	94701-00108	PLUG, spark (BP-6HS)	1		



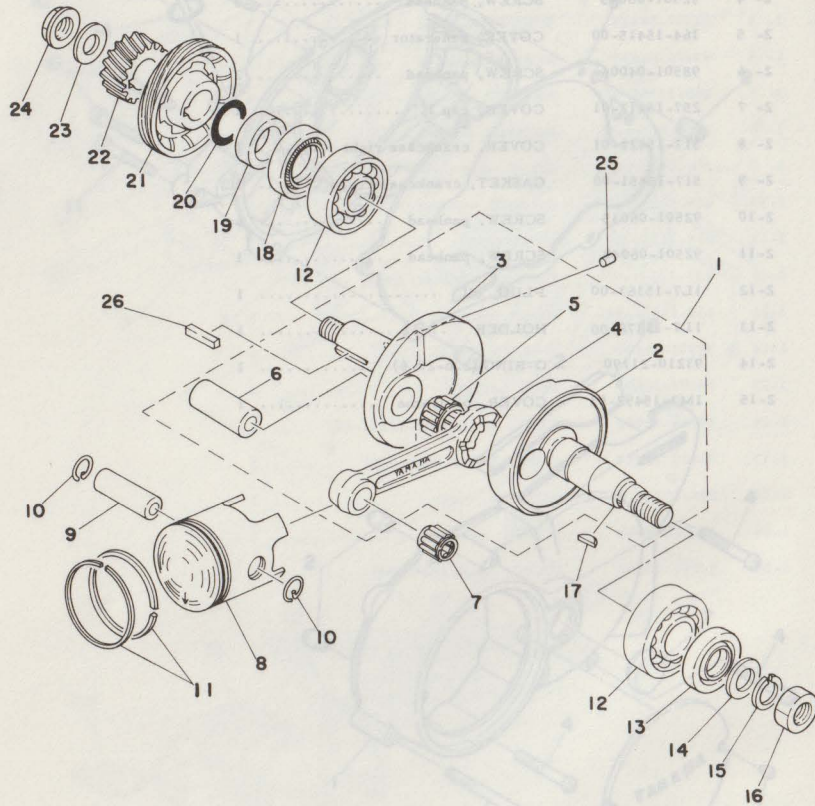
Fig. 2 CRANKCASE COVER



CRANKCASE COVER

Ref. No.	Parts No.	Description	Q'ty	Applicable Machine No.	Remarks
2- 1	1L6-15411-00	COVER, crankcase left	1		
2- 2	91830-21014	PIN, dowel (6.4-10-14)	4		
2- 3	92501-06100	SCREW, panhead	1		
2- 4	92501-06045	SCREW, panhead	3		
2- 5	164-15415-00	COVER, generator	1		
2- 6	98501-04006	SCREW, panhead	2		
2- 7	257-15417-01	COVER, cap 1	1		
2- 8	517-15421-01	COVER, crankcase right	1		
2- 9	517-15451-00	GASKET, crankcase cover	1		
2-10	92501-06035	SCREW, panhead	6		
2-11	92501-06040	SCREW, panhead	1		
2-12	1L7-15363-00	PLUG, oil	1		
2-13	1L7-15378-00	HOLDER	1		
2-14	93210-21190	O-RING (2.6-20.6)	1		
2-15	1M3-15492-01	COVER, oil frame	1		

Fig. 3 CRANK · PISTON



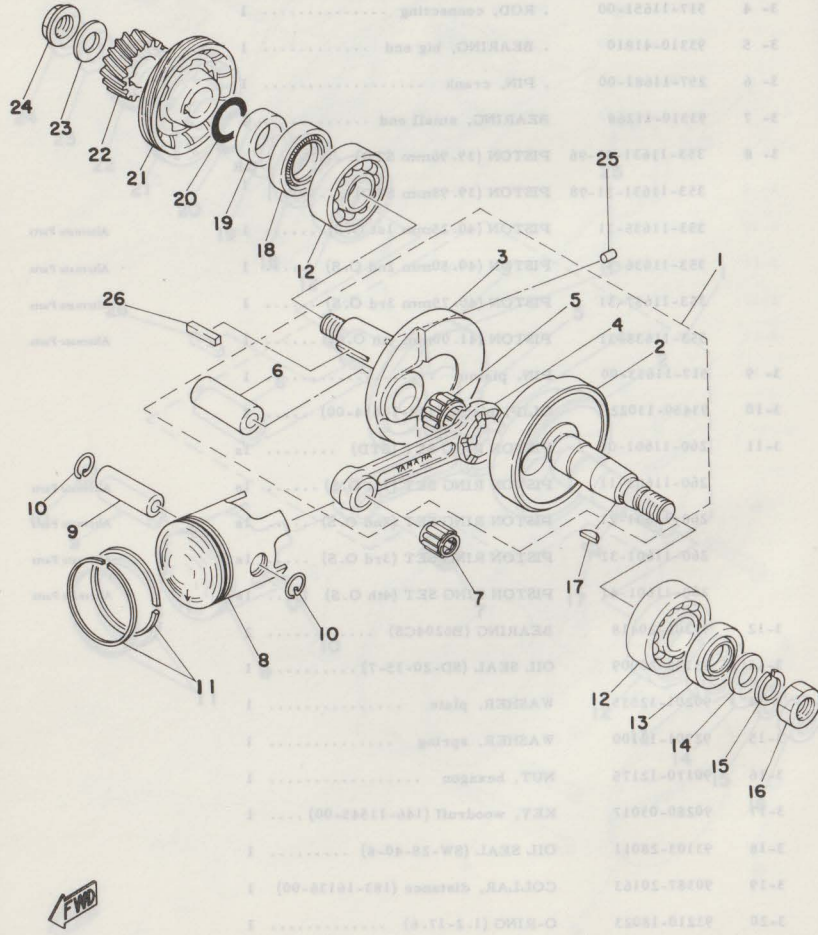
FRONT

CRANK · PISTON

Ref. No.	Parts No.	Description	Q'ty	Applicable Machine No.	Remarks
3- 1	517-11400-02	CRANK ASS'Y	1		
3- 2	517-11412-03	. CRANK, left	1		
3- 3	517-11422-01	. CRANK, right	1		
3- 4	517-11651-00	. ROD, connecting	1		
3- 5	93310-41810	. BEARING, big end	1		
3- 6	257-11681-00	. PIN, crank	1		
3- 7	93310-11268	BEARING, small end	1		
3- 8	353-11631-31-96	PISTON (39.96mm STD)	1	U.R 1	
	353-11631-31-98	PISTON (39.98mm STD)	1		
	353-11635-31	PISTON (40.25mm 1st O.S)	1		Alternate Parts
	353-11636-31	PISTON (40.50mm 2nd O.S)	1		Alternate Parts
	353-11637-31	PISTON (40.75mm 3rd O.S)	1		Alternate Parts
	353-11638-31	PISTON (41.00mm 4th O.S)	1		Alternate Parts
3- 9	517-11633-00	PIN, piston	1		
3-10	93450-13022	CLIP, piston (132-11634-00)	2		
3-11	260-11601-01	PISTON RING SET (STD)	1s		
	260-11601-11	PISTON RING SET (1st O.S)	1s		Alternate Parts
	260-11601-21	PISTON RING SET (2nd O.S)	1s		Alternate Parts
	260-11601-31	PISTON RING SET (3rd O.S)	1s		Alternate Parts
	260-11601-41	PISTON RING SET (4th O.S)	1s		Alternate Parts
3-12	93306-20418	BEARING (B6204CS)	2		
3-13	93102-20009	OIL SEAL (SD-20-35-7)	1		
3-14	90201-12535	WASHER, plate	1		
3-15	92901-12100	WASHER, spring	1		
3-16	90170-12175	NUT, hexagon	1		
3-17	90280-03017	KEY, woodruff (146-11545-00)	1		
3-18	93103-28011	OIL SEAL (SW-28-40-8)	1		
3-19	90387-20163	COLLAR, distance (183-16136-00)	1		
3-20	93210-18023	O-RING (1.2-17.6)	1		



Fig. 3 CRANK · PISTON

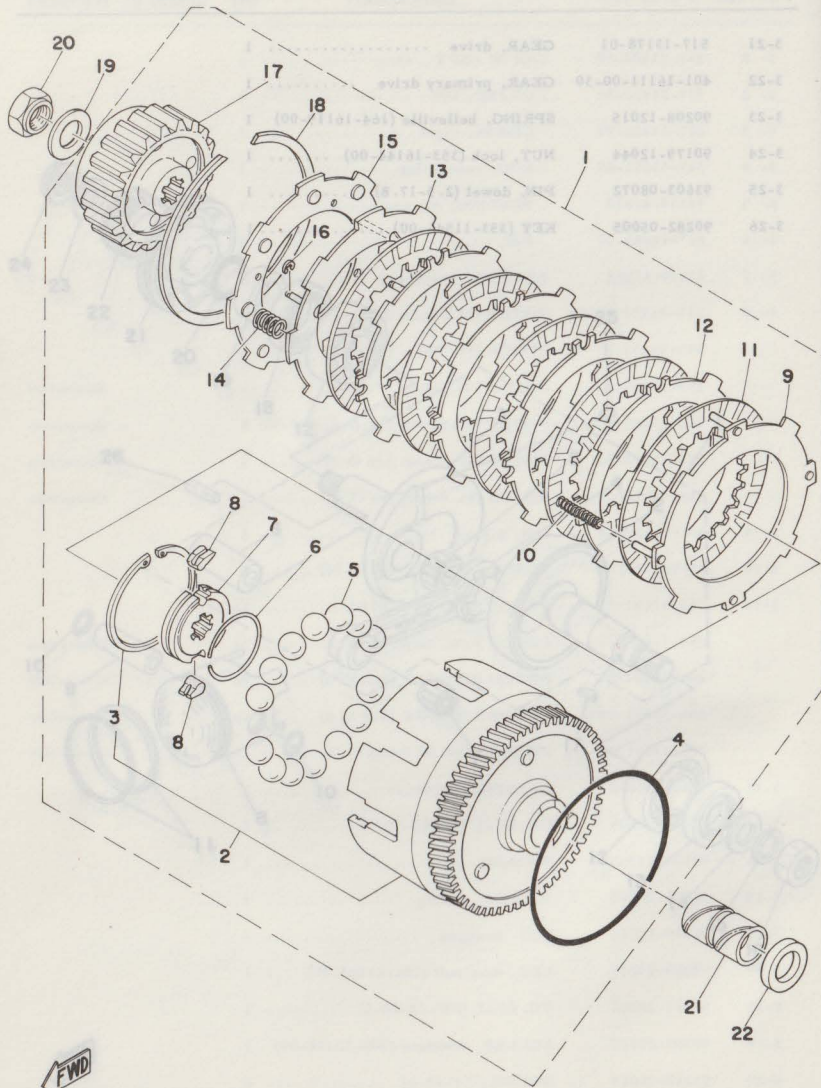


CRANK · PISTON

Ref. No.	Parts No.	Description	Q'ty	Applicable Machine No.	Remarks
3-21	517-13178-01	GEAR, drive	1		
3-22	401-16111-00-30	GEAR, primary drive	1		
3-23	90208-12015	SPRING, belleville (164-16119-00)	1		
3-24	90179-12044	NUT, lock (353-16144-00)	1		
3-25	93603-08072	PIN, dowel (2.5-17.8)	1		
3-26	90282-05005	KEY (353-11546-00)	1		



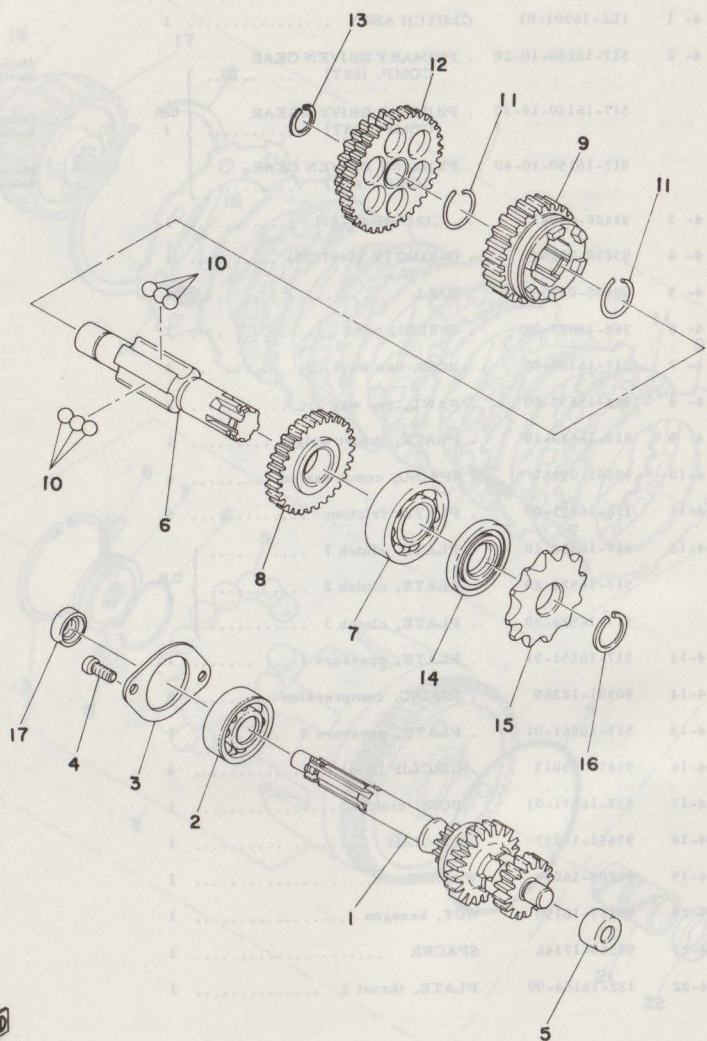
Fig. 4 CLUTCH



Ref. No.	Parts No.	Description	Qty	Applicable Machine No.	Remarks
4- 1	1L6-16301-01	CLUTCH ASS'Y	1		
4- 2	517-16150-10-20	. PRIMARY DRIVEN GEAR COMP. (68T)	1	U.R	Discrimination mark of Backlash: B
	517-16150-10-30	. PRIMARY DRIVEN GEAR COMP. (68T)			
	517-16150-10-40	. PRIMARY DRIVEN GEAR COMP. (68T)			
4- 3	93420-61041	. . CIRCLIP (R-61)	1		
4- 4	93210-98202	. O-RING (5.33-97.76)	1		
4- 5	93505-08030	. BALL	14		
4- 6	384-15637-02	. SPRING, pawl	1		
4- 7	517-16180-00	. BOSS, one way	1		
4- 8	384-15635-00	. PAWL, one way	2		
4- 9	517-16523-10	. PLATE, thrust weight	1		
4-10	90501-09461	. SPRING, compression	4		
4-11	116-16521-00	. PLATE, friction	5		
4-12	517-16524-10	. PLATE, clutch 1	4	U.R	
	517-16524-20	. PLATE, clutch 2			
	517-16524-30	. PLATE, clutch 3			
4-13	517-16551-91	. PLATE, pressure 1	1		
4-14	90501-12369	. SPRING, compression	8		
4-15	517-16561-01	. PLATE, pressure 2	1		
4-16	93430-03013	. CIRCLIP (E-3)	4		
4-17	517-16571-01	. BOSS, clutch	1		
4-18	93451-11037	. CIRCLIP	1		
4-19	90208-16019	WASHER	1		
4-20	90179-16190	NUT, hexagon	1		
4-21	90560-17146	SPACER	1		
4-22	122-16164-00	PLATE, thrust 2	1		

Fig. 5 TRANSMISSION

TRANSMISSION



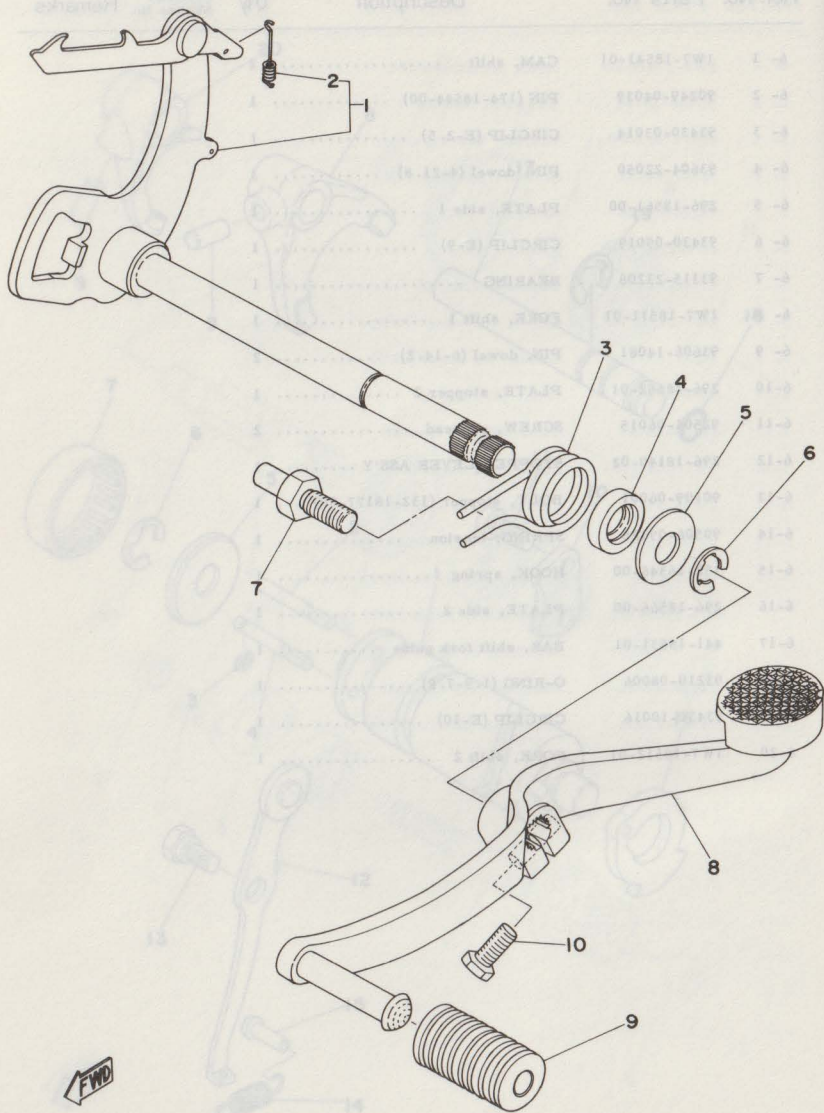
Ref. No.	Parts No.	Description	Q'ty	Applicable Machine No.	Remarks
5- 1	1W7-17410-00	MAIN AXLE COMP. ....	1		
5- 2	93306-20309	BEARING (B6203) ....	1		
5- 3	296-17471-00	PLATE, bearing cover ....	1		
5- 4	92501-06012	SCREW, panhead ....	2		
5- 5	93320-41202	BEARING ....	1		
5- 6	1W7-17421-00	AXLE, drive ....	1		
5- 7	93306-20401	BEARING (B6204) ....	1		
5- 8	1W7-17221-01	GEAR, 2nd wheel (29T) ....	1		
5- 9	1W7-17231-01	GEAR, 3rd wheel (24T) ....	1		
5-10	93509-32012	BALL (9/32 inch) ....	12		
5-11	93450-28049	CIRCLIP (28 $\phi$ special) ....	2		
5-12	1W7-17211-01	GEAR, 1st wheel (27T, 39T) ....	1		
5-13	93440-15012	CIRCLIP (15 $\phi$ special) ....	1		
5-14	93102-20143	OIL SEAL (SD-20-38-5) ....	1		
5-15	517-17461-21	SPROCKET, drive (12T) ....	1	U.R	STD
517-17461-31	SPROCKET, drive (13T) ....				
517-17461-41	SPROCKET, drive (14T) ....				
5-16	93440-20043	CIRCLIP (20 $\phi$ special) ....	1		
5-17	93104-11053	OIL SEAL (SO-11-20-9) ....	1		







Fig. 7 SHIFTER 2



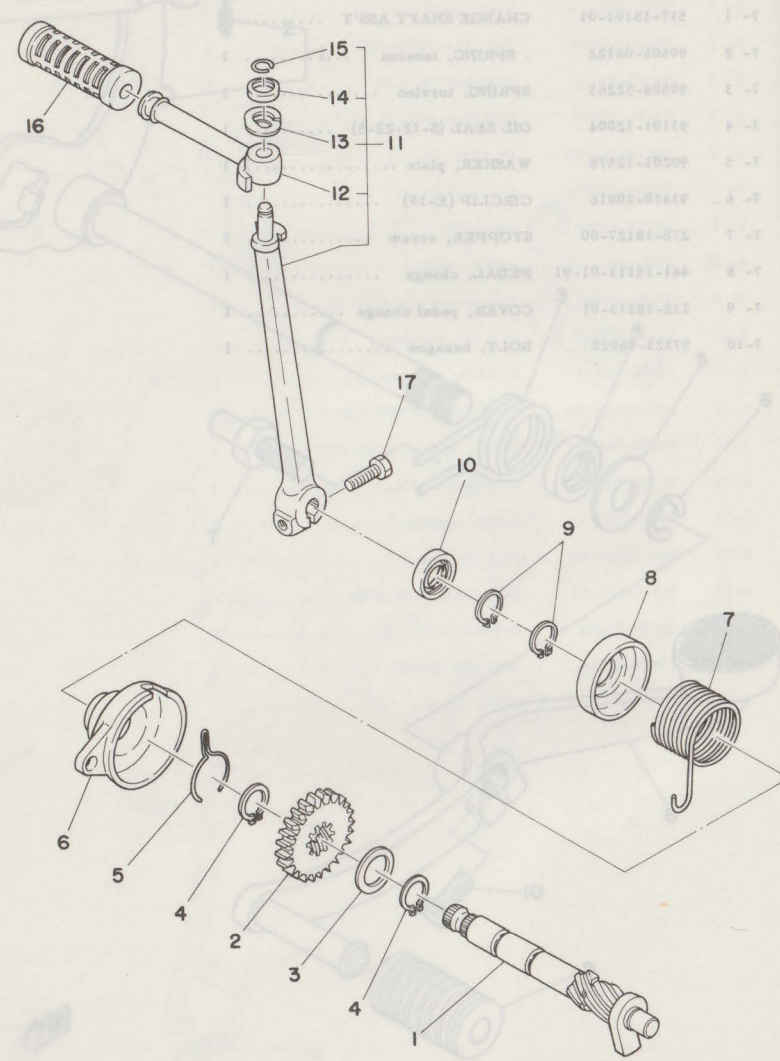
SHIFTER 2

Ref. No.	Parts No.	Description	Q'ty	Applicable Machine No.	Remarks
7- 1	517-18101-01	CHANGE SHAFT ASS'Y	1		
7- 2	90506-08122	. SPRING, tension	1		
7- 3	90508-32263	SPRING, torsion	1		
7- 4	93101-12004	OIL SEAL (S-12-22-5)	1		
7- 5	90201-12575	WASHER, plate	1		
7- 6	93430-10016	CIRCLIP (E-10)	1		
7- 7	278-18127-00	STOPPER, screw	1		
7- 8	441-18111-01-91	PEDAL, change	1		
7- 9	132-18113-01	COVER, pedal change	1		
7-10	97321-06020	BOLT, hexagon	1		

Fig. 8 KICK STARTER

KICK STARTER

Ref. No. Parts No. Description

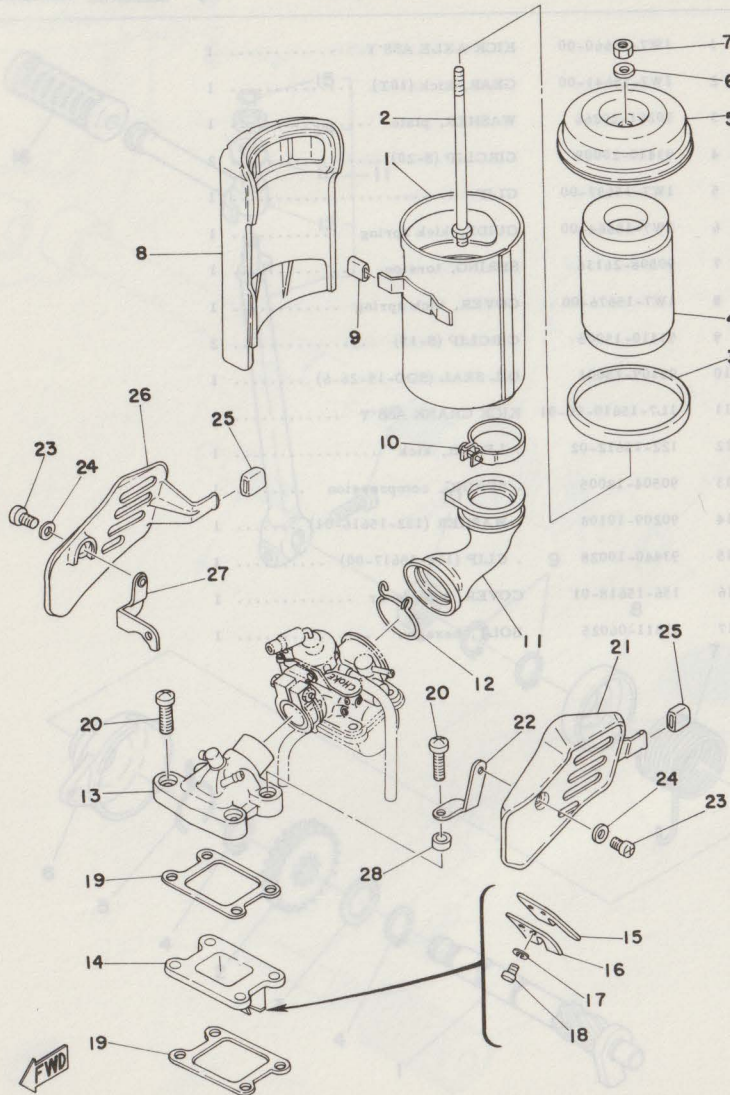


Ref. No. Parts No. Description Q'ty Applicable Machine No. Remarks

8-1	1W7-15660-00	KICK AXLE ASS'Y	1		
8-2	1W7-15641-00	GEAR, kick (10T)	1		
8-3	90201-20266	WASHER, plate	1		
8-4	93410-20009	CIRCLIP (S-20)	2		
8-5	1W7-15687-00	CLIP	1		
8-6	1W7-15664-00	GUIDE, kick spring	1		
8-7	90508-26136	SPRING, torsion	1		
8-8	1W7-15676-00	COVER, kick spring	1		
8-9	93410-15005	CIRCLIP (S-15)	2		
8-10	93109-15001	OIL SEAL (SDO-15-26-6)	1		
8-11	1L7-15610-00-91	KICK CRANK ASS'Y	1		
8-12	122-15612-02	LEVER, kick	1		
8-13	90504-18005	SPRING, compression	1		
8-14	90209-10108	WASHER (132-15616-01)	1		
8-15	93440-10028	CLIP (132-15617-00)	1		
8-16	156-15618-01	COVER, kick lever	1		
8-17	97311-06025	BOLT, hexagon	1		



Fig. 9 INTAKE

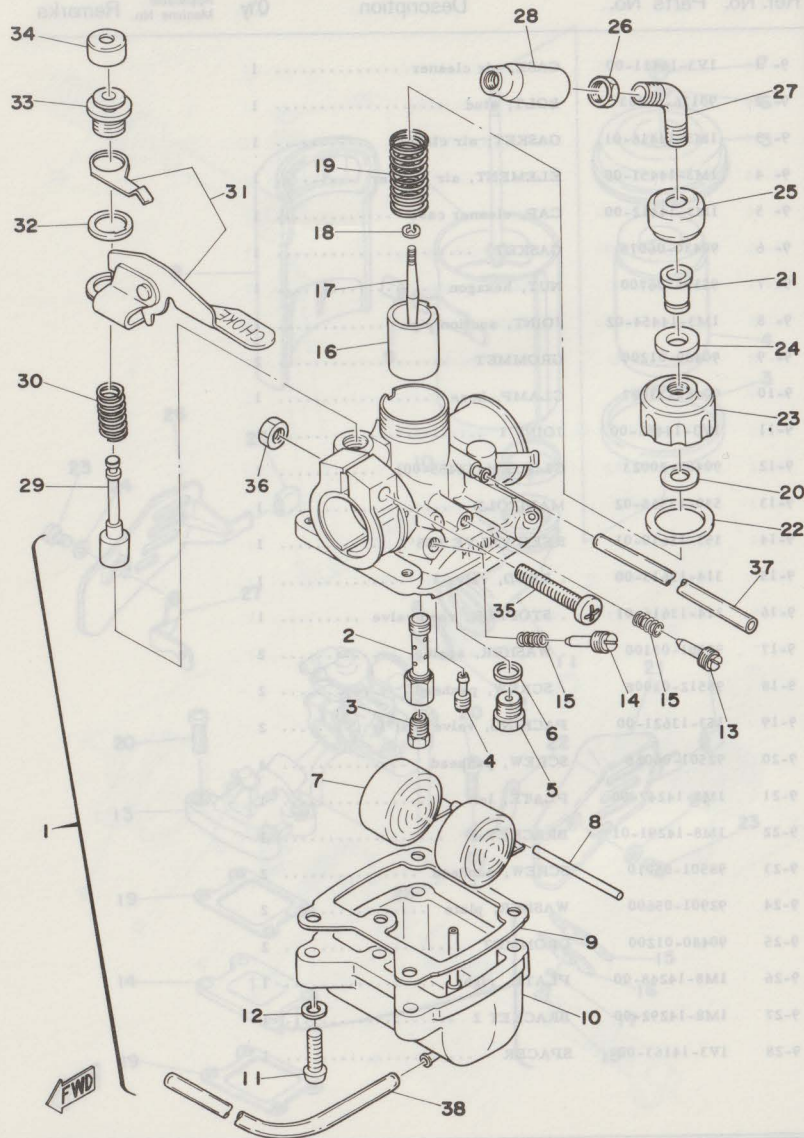


INTAKE

Ref. No.	Parts No.	Description	Q'ty	Applicable Machine No.	Remarks
9- 1	1V3-14411-00	CASE, air cleaner	1		
9- 2	90116-06233	BOLT, stud	1		
9- 3	1M3-14416-01	GASKET, air cleaner	1		
9- 4	1M3-14451-00	ELEMENT, air cleaner	1		
9- 5	1M3-14412-00	CAP, cleaner case	1		
9- 6	90430-06075	GASKET	1		
9- 7	95301-06700	NUT, hexagon	1		
9- 8	1M3-14454-02	JOINT, suction pipe	1		
9- 9	90480-01200	GROMMET	2		
9-10	90460-33087	CLAMP, hose	1		
9-11	1V3-14453-00	JOINT 1	1		
9-12	90467-20023	CLIP (296-14455-00)	1		
9-13	550-13565-02	MANIFOLD	1		
9-14	353-13610-01	REED VALVE ASS'Y	1		
9-15	314-13613-00	. REED, valve 1	1		
9-16	314-13616-01	. STOPPER, reed valve	1		
9-17	92901-03100	. WASHER, spring	2		
9-18	98512-03008	. SCREW, panhead	2		
9-19	353-13621-00	PACKING, valve seat 1	2		
9-20	92501-06025	SCREW, panhead	4		
9-21	1M8-14247-00	PLATE, left	1		
9-22	1M8-14291-01	BRACKET 1	1		
9-23	98501-05010	SCREW, panhead	2		
9-24	92901-05600	WASHER, plate	2		
9-25	90480-01200	GROMMET	2		
9-26	1M8-14248-00	PLATE, right	1		
9-27	1M8-14292-00	BRACKET 2	1		
9-28	1V3-14163-00	SPACER	1		



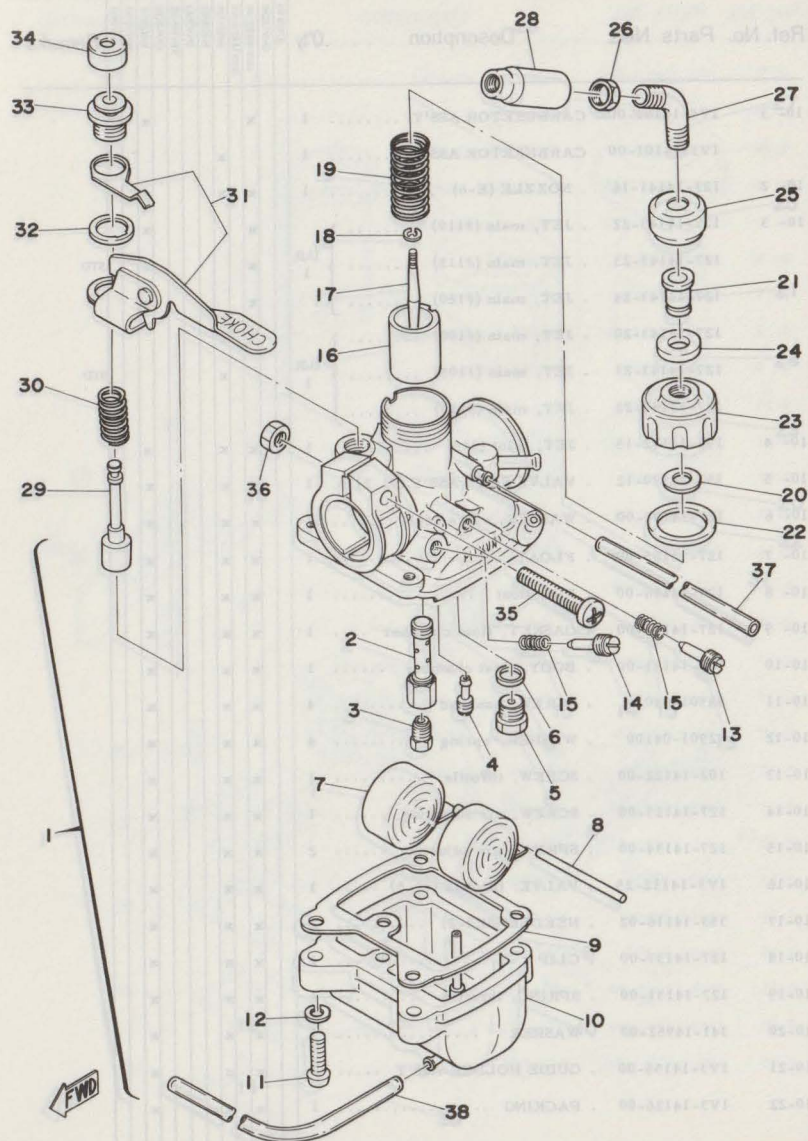
Fig. 10 CARBURETOR



CARBURETOR

Ref. No.	Parts No.	Description	Q'ty	ITALY	ENGLAND	AUSTRALIA	NORWAY	DENMARK	FINLAND	SWEDEN	BELGIUM	SWITZERLAND	W. GERMANY	HOLLAND	FRANCE	Remarks
10-1	1V5-14101-00	CARBURETOR ASS'Y	1	x			x									
	1V3-14101-00	CARBURETOR ASS'Y	1							x						
10-2	127-14141-16	NOZZLE (E-6)	1	x	x		x									
10-3	127-14143-22	JET, main (#110)	1	x			x									STD
	127-14143-23	JET, main (#115)		U.R. 1	x			x								
	127-14143-24	JET, main (#120)			x			x								
	127-14143-20	JET, main (#100)	1							x						STD
	127-14143-21	JET, main (#105)		U.R. 1							x					
	127-14143-22	JET, main (#110)								x						
10-4	193-14142-15	JET, pilot (#15)	1	x	x			x								
10-5	353-14190-12	VALVE SEAT ASS'Y (#1.2)	1	x	x		x									
10-6	127-14195-00	WASHER, valve seat	1	x	x		x									
10-7	127-14185-00	FLOAT	1	x	x		x									
10-8	127-14186-00	PIN, float	1	x	x		x									
10-9	127-14184-00	GASKET, float chamber	1	x	x		x									
10-10	102-14181-00	BODY, float chamber	1	x	x		x									
10-11	98501-04018	SCREW, panhead	4	x	x		x									
10-12	92901-04100	WASHER, spring	4	x	x		x									
10-13	102-14122-00	SCREW, throttle	1	x	x		x									
10-14	127-14123-00	SCREW, air adjusting	1	x	x		x									
10-15	127-14134-00	SPRING, air adjusting	2	x	x		x									
10-16	1V3-14112-25	VALVE, throttle (#2.5)	1	x	x		x									
10-17	353-14116-02	NEEDLE (3E2-2)	1	x	x		x									
10-18	127-14137-00	CLIP	1	x	x		x									
10-19	127-14131-00	SPRING, throttle	1	x	x		x									
10-20	341-14952-00	WASHER	1	x	x		x									
10-21	1V3-14155-00	GUIDE HOLDER ASS'Y	1	x	x		x									
10-22	1V3-14126-00	PACKING	1	x	x		x									

Fig. 10 CARBURETOR

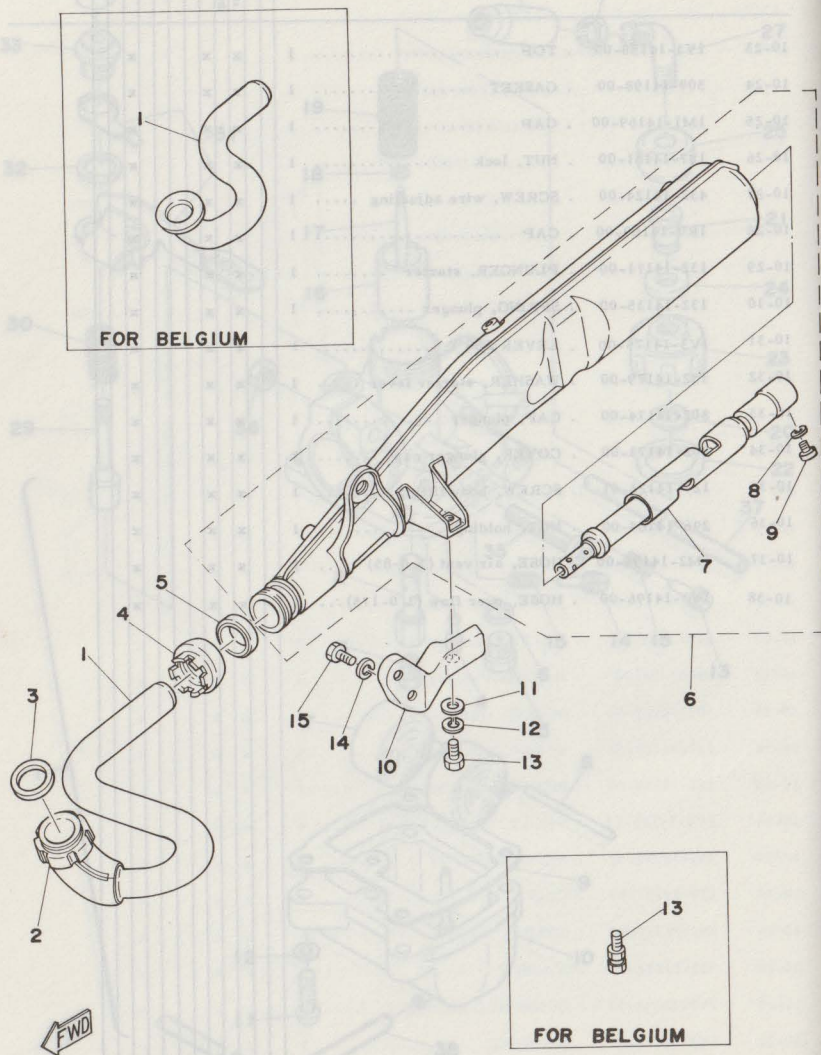


CARBURETOR

Ref. No.	Parts No.	Description	Qty	HOLLAND	GERMANY	SWITZERLAND	FINLAND	DENMARK	NORWAY	AUSTRIA	ENGLAND	ITALY	Remarks
10-23	1V3-14158-00	. TOP .....	1		x	x						x	
10-24	509-14198-00	. GASKET .....	1		x	x						x	
10-25	1M1-14169-00	. CAP .....	1		x	x						x	
10-26	187-14161-00	. NUT, lock .....	1		x	x						x	
10-27	432-14124-00	. SCREW, wire adjusting .....	1		x	x						x	
10-28	1R0-14169-00	. CAP .....	1		x	x						x	
10-29	132-14171-00	. PLUNGER, starter .....	1		x	x						x	
10-30	132-14135-00	. SPRING, plunger .....	1		x	x						x	
10-31	1V3-14175-00	. LEVER ASS'Y .....	1		x	x						x	
10-32	132-14179-00	. WASHER, starter lever .....	1		x	x						x	
10-33	802-14174-00	. CAP, plunger .....	1		x	x						x	
10-34	802-14173-00	. COVER, plunger cap .....	1		x	x						x	
10-35	127-14125-01	. SCREW, body fitting .....	1		x	x						x	
10-36	296-14164-00	. NUT, holding .....	1		x	x						x	
10-37	1M2-14196-00	. HOSE, air vent (3.0-85) .....	1		x	x						x	
10-38	1V3-14196-00	. HOSE, over flow (3.0-175) .....	1		x	x						x	



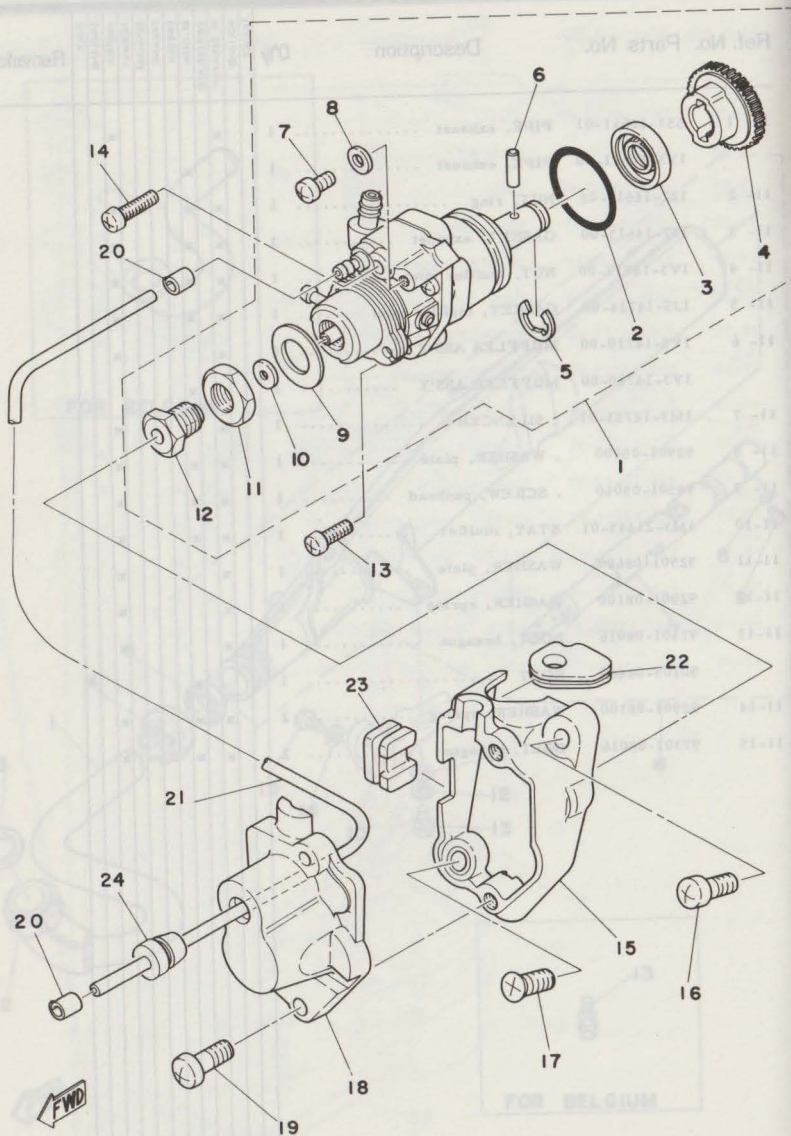
Fig. 11 EXHAUST



EXHAUST

Ref. No.	Parts No.	Description	Q'ty	FRANCE	HOLLAND	SWITZERLAND w. GERMANY	GERMANY	ENGLAND	SPAIN	AUSTRIA	ITALY	Remarks
11-1	551-14611-01	PIPE, exhaust	1	x							x	
	1V3-14611-00	PIPE, exhaust	1				x					
11-2	122-14612-02	NUT, ring	1	x	x			x				
11-3	132-14613-00	GASKET, exhaust	1	x	x			x				
11-4	1V3-14713-00	NUT, muffler joint	1	x	x			x				
11-5	1J5-14714-00	GASKET, muffler joint	1	x	x			x				
11-6	1V5-14710-00	MUFFLER ASS'Y	1	x				x				
	1V3-14710-00	MUFFLER ASS'Y	1				x					
11-7	1M3-14753-01	SILENCER	1	x	x			x				
11-8	92901-05600	WASHER, plate	1	x	x			x				
11-9	98501-05010	SCREW, panhead	1	x	x			x				
11-10	1M3-21445-01	STAY, muffler	1	x	x			x				
11-11	92901-08600	WASHER, plate	1	x				x				
11-12	92901-08100	WASHER, spring	1	x				x				
11-13	97301-08016	BOLT, hexagon	1	x				x				
	90109-08469	BOLT	1				x					
11-14	92901-08100	WASHER, spring	2	x	x			x				
11-15	97301-08016	BOLT, hexagon	2	x	x			x				

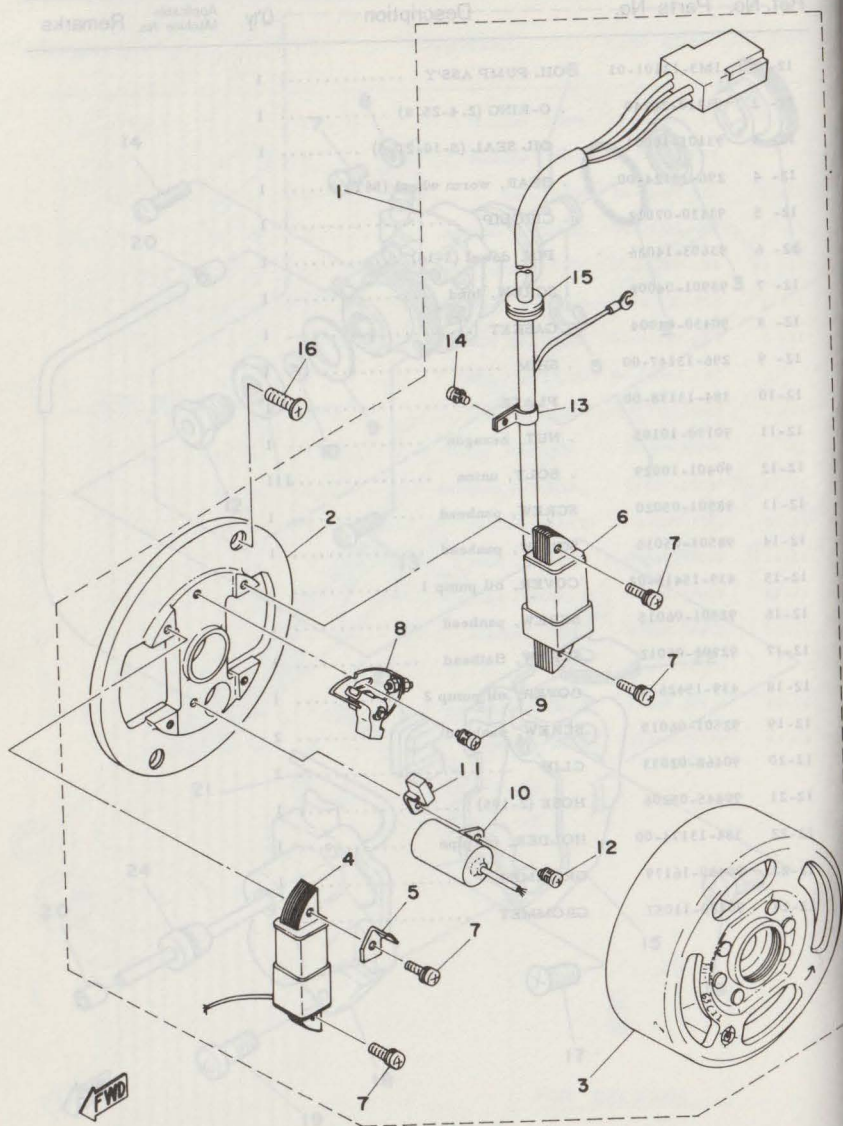
Fig. 12 OIL PUMP



Ref. No.	Parts No.	Description	Q'ty	Applicable Machine No.	Remarks
12-1	1M3-13101-01	OIL PUMP ASS'Y	1		
12-2	93210-26240	O-RING (2.4-25.8)	1		
12-3	93101-10001	OIL SEAL (S-10-21-5)	1		
12-4	296-13124-00	GEAR, worm wheel (56T)	1		
12-5	93430-07012	CIRCLIP	1		
12-6	93603-14026	PIN, dowel (3-14)	1		
12-7	98901-04008	SCREW, bind	1		
12-8	90430-04004	GASKET	1		
12-9	296-13147-00	SHIM	1		
12-10	384-13138-00	PLATE	1		
12-11	90170-10105	NUT, hexagon	1		
12-12	90401-10029	BOLT, union	1		
12-13	98501-05020	SCREW, panhead	1		
12-14	98501-05035	SCREW, panhead	1		
12-15	439-15416-02	COVER, oil pump 1	1		
12-16	92501-06015	SCREW, panhead	1		
12-17	92701-06012	SCREW, flathead	1		
12-18	439-15426-02	COVER, oil pump 2	1		
12-19	92501-06015	SCREW, panhead	2		
12-20	90468-02033	CLIP	2		
12-21	90445-05206	HOSE (2-105)	1		
12-22	384-13174-00	HOLDER, oil pipe	1		
12-23	90480-16179	GROMMET	1		
12-24	90480-11057	GROMMET	1		



Fig. 13 FLYWHEEL MAGNETO

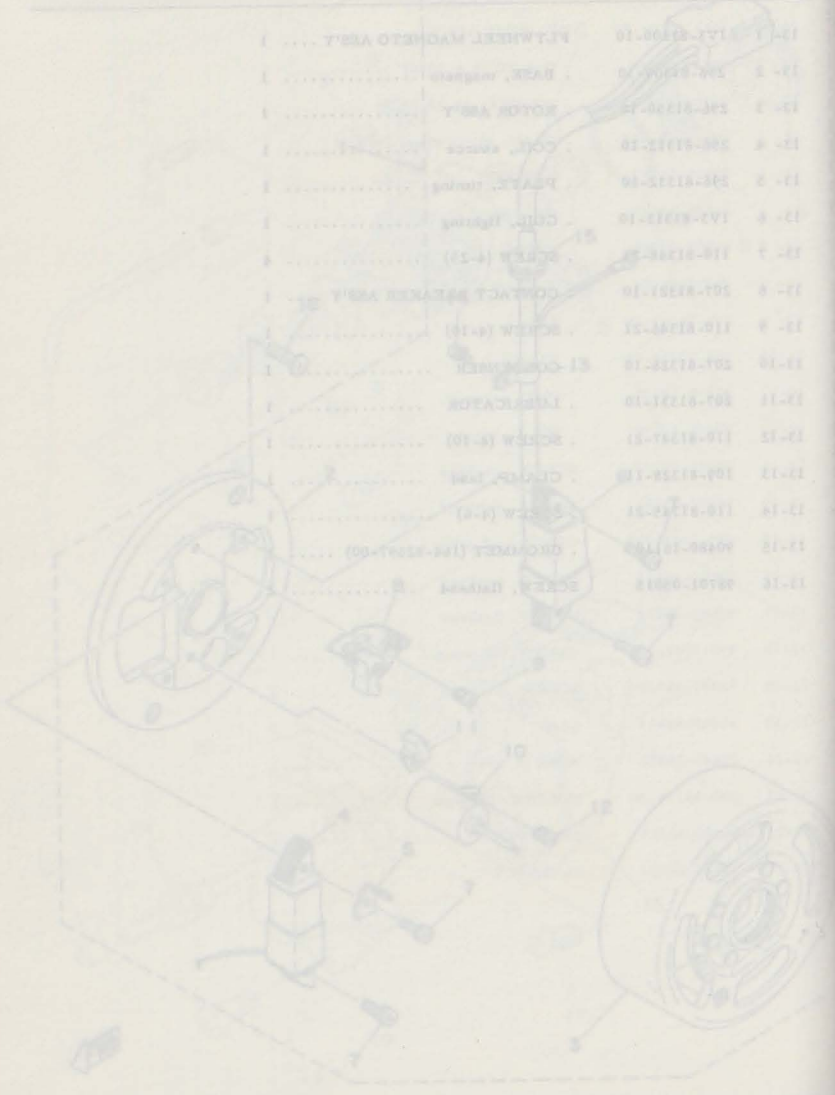


FLYWHEEL MAGNETO

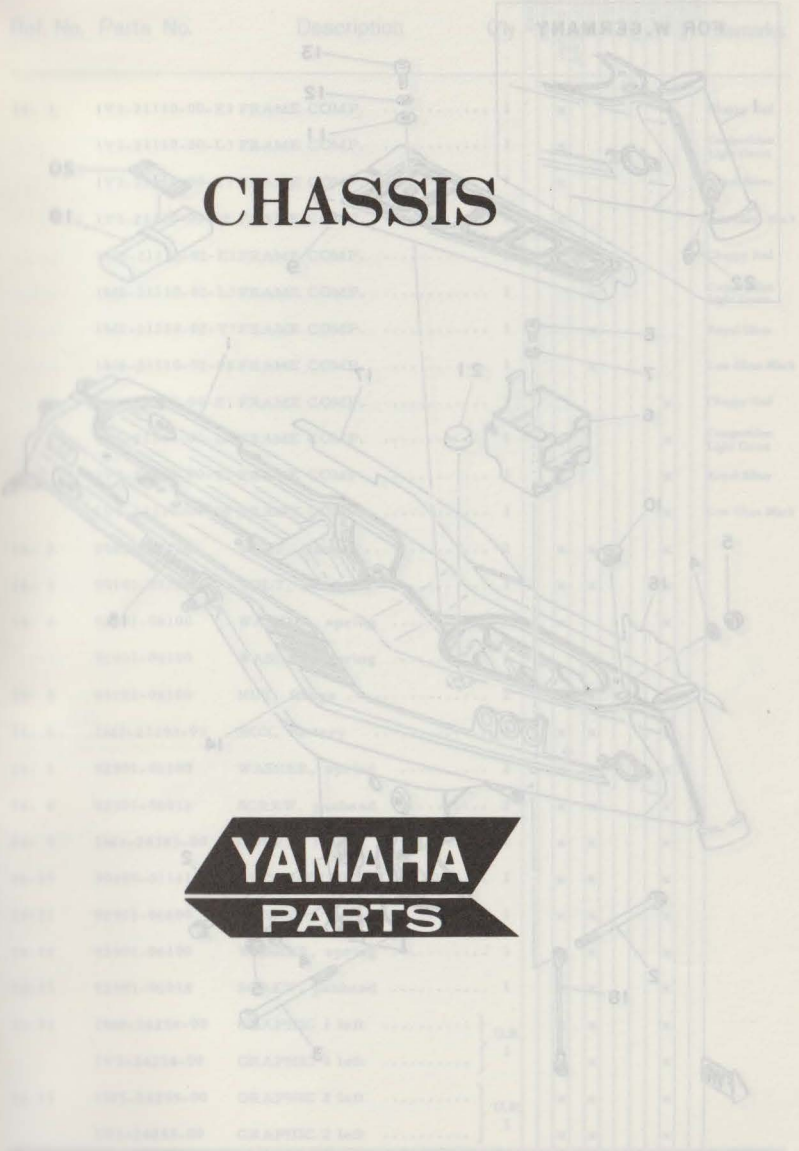
Ref. No.	Parts No.	Description	Q'ty	Applicable Machine No.	Remarks
13-1	1V3-81300-10	FLYWHEEL MAGNETO ASS'Y	1		
13-2	296-81309-10	BASE, magneto	1		
13-3	296-81350-10	ROTOR ASS'Y	1		
13-4	296-81312-10	COIL, source	1		
13-5	296-81332-10	PLATE, timing	1		
13-6	1V3-81313-10	COIL, lighting	1		
13-7	110-81348-21	SCREW (4-25)	4		
13-8	207-81321-10	CONTACT BREAKER ASS'Y	1		
13-9	110-81346-21	SCREW (4-10)	1		
13-10	207-81326-10	CONDENSER	1		
13-11	207-81331-10	LUBRICATOR	1		
13-12	110-81347-21	SCREW (4-10)	1		
13-13	109-81328-11	CLAMP, lead	1		
13-14	110-81345-21	SCREW (4-6)	1		
13-15	90480-16110	GROMMET (164-82597-00)	1		
13-16	98701-05015	SCREW, flathead	2		



Ref. No.	Part No.	Description	Qty	Remarks
----------	----------	-------------	-----	---------



14-1	117-81308-10	FLYWHEEL MAGNETO ASBY	1	
14-2	104-81306-10	BASE, MAGNET	1	
14-3	104-81306-10	ROTOR ASBY	1	
14-4	104-81312-10	COIL, SOURCE	1	
14-5	104-81312-10	PLATE, CONTACT	1	
14-6	104-81312-10	COIL, PRIMARY	1	
14-7	119-81348-01	SCREW (4-10)	4	
14-8	107-81351-10	CONTACT BREAKER ASBY	1	
14-9	110-81348-01	SCREW (4-10)	1	
14-10	107-81352-10	CONTACT	1	
14-11	107-81351-10	INDICATOR	1	
14-12	119-81347-01	SCREW (4-10)	1	
14-13	104-81352-10	CLAMP, PUL	1	
14-14	119-81348-01	SCREW (4-10)	1	
14-15	104-81352-10	OROMET (104-81352-00)	1	
14-16	107-81351-10	SCREW (4-10)	1	



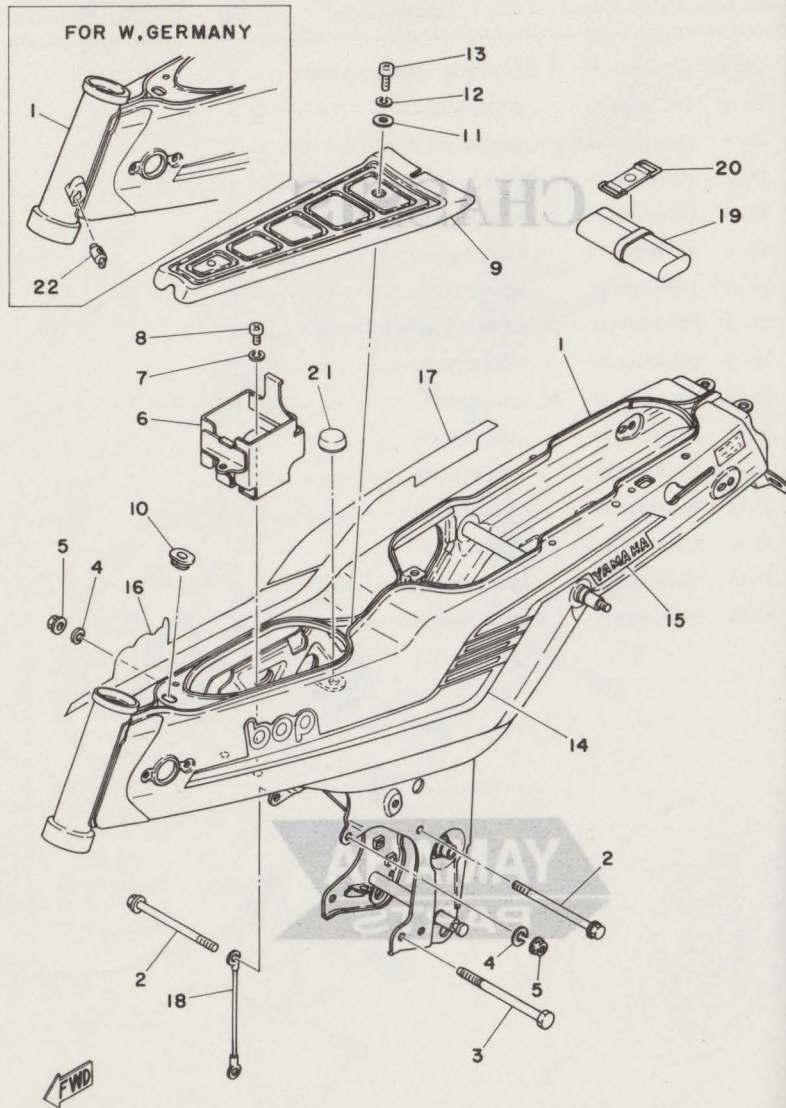
# CHASSIS

# YAMAHA PARTS

Ref. No.	Part No.	Description	Qty	Remarks
1	104-81312-10	COIL, PRIMARY	1	
2	104-81312-10	PLATE, CONTACT	1	
3	104-81312-10	COIL, SOURCE	1	
4	104-81306-10	ROTOR ASBY	1	
5	104-81306-10	BASE, MAGNET	1	
6	107-81351-10	CONTACT BREAKER ASBY	1	
7	110-81348-01	SCREW (4-10)	1	
8	107-81352-10	CONTACT	1	
9	107-81351-10	INDICATOR	1	
10	119-81347-01	SCREW (4-10)	1	
11	104-81352-10	CLAMP, PUL	1	
12	119-81348-01	SCREW (4-10)	1	
13	104-81352-10	OROMET (104-81352-00)	1	
14	107-81351-10	SCREW (4-10)	1	
15	104-81312-10	COIL, PRIMARY	1	
16	104-81312-10	PLATE, CONTACT	1	
17	104-81312-10	COIL, SOURCE	1	
18	104-81306-10	ROTOR ASBY	1	
19	104-81306-10	BASE, MAGNET	1	
20	107-81351-10	CONTACT BREAKER ASBY	1	
21	110-81348-01	SCREW (4-10)	1	
22	107-81352-10	CONTACT	1	



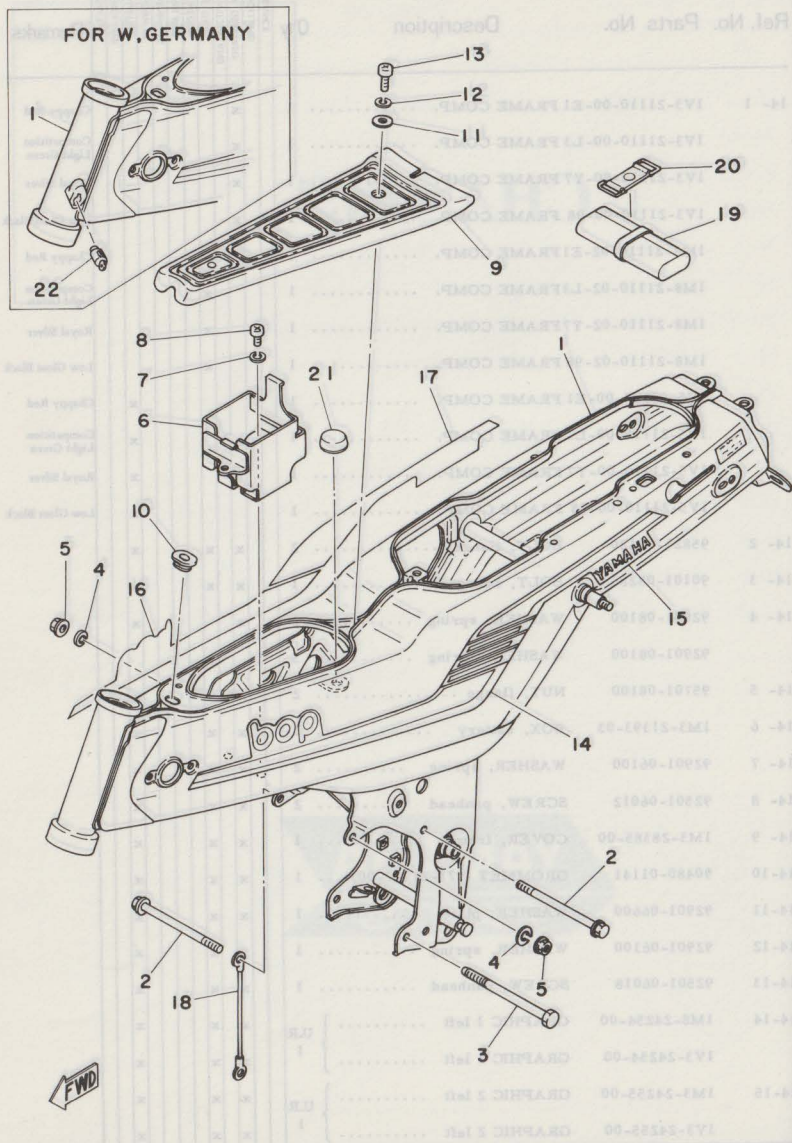
Fig. 14 FRAME



FRAME

Ref. No.	Parts No.	Description	Q'ty	FRANCE	HOLLAND	W. GERMANY	SWITZERLAND	BELGIUM	FINLAND	SPAIN	DENMARK	NORWAY	NETHERLANDS	IRELAND	ITALY	Remarks
14-1	1V3-21110-00-E1	FRAME COMP.	1	x												Chappy Red
	1V3-21110-00-L3	FRAME COMP.	1	x												Competition Light Green
	1V3-21110-00-Y7	FRAME COMP.	1	x												Royal Silver
	1V3-21110-00-98	FRAME COMP.	1	x												Low Gloss Black
	1M8-21110-02-E1	FRAME COMP.	1		x											Chappy Red
	1M8-21110-02-L3	FRAME COMP.	1		x											Competition Light Green
	1M8-21110-02-Y7	FRAME COMP.	1		x											Royal Silver
	1M8-21110-02-98	FRAME COMP.	1		x											Low Gloss Black
	1V5-21110-00-E1	FRAME COMP.	1			x										Chappy Red
	1V5-21110-00-L3	FRAME COMP.	1			x										Competition Light Green
	1V5-21110-00-Y7	FRAME COMP.	1			x										Royal Silver
	1V5-21110-00-98	FRAME COMP.	1			x										Low Gloss Black
14-2	95821-08120	BOLT, flange	2	x	x											
14-3	90101-08285	BOLT, hexagon	1	x	x											
14-4	92901-08100	WASHER, spring	2	x												
	92901-08100	WASHER, spring	3		x											
14-5	95701-08100	NUT, flange	2	x	x											
14-6	1M3-21393-03	BOX, battery	1	x	x											
14-7	92901-06100	WASHER, spring	2	x	x											
14-8	92501-06012	SCREW, panhead	2	x	x											
14-9	1M3-28385-00	COVER, frame	1	x	x											
14-10	90480-01141	GROMMET (371-21747-00)	1	x	x											
14-11	92901-06600	WASHER, plate	1	x	x											
14-12	92901-06100	WASHER, spring	1	x	x											
14-13	92501-06018	SCREW, panhead	1	x	x											
14-14	1M8-24254-00	GRAPHIC 1 left		x	x											
	1V3-24254-00	GRAPHIC 1 left		x	x											
14-15	1M3-24255-00	GRAPHIC 2 left		x	x											
	1V3-24255-00	GRAPHIC 2 left		x	x											

Fig. 14 FRAME

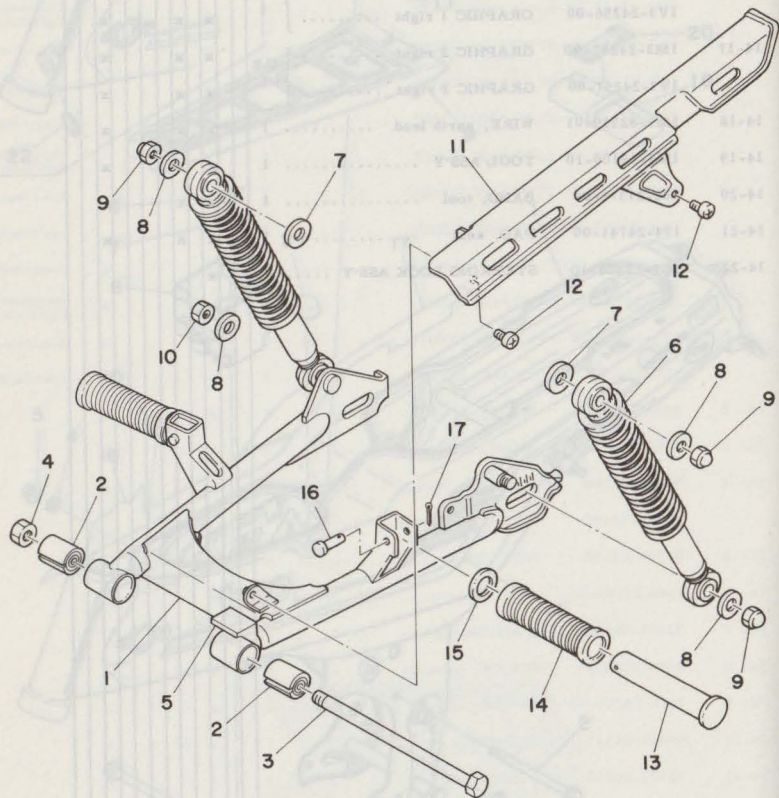


FRAME

Ref. No.	Parts No.	Description	Q'ty	FRANCE	HOLLAND	SWITZERLAND	W. GERMANY	FINLAND	DENMARK	NORWAY	AUSTRIA	ITALY	Remarks
14-16	1M8-24256-00	GRAPHIC 1 right	1	x	x						x		U.R. 1
	1V3-24256-00	GRAPHIC 1 right	1	x	x						x		
14-17	1M3-24257-00	GRAPHIC 2 right	1	x	x						x		U.R. 1
	1V3-24257-00	GRAPHIC 2 right	1	x	x						x		
14-18	1M3-82519-01	WIRE, earth lead	1	x	x						x		
14-19	1M3-28100-10	TOOL ASS'Y	1	x	x						x		
14-20	288-21376-00	BAND, tool	1	x	x						x		
14-21	174-24741-00	PAD, seat	1	x	x						x		
14-22	1G1-23408-10	STEERING LOCK ASS'Y	1	x									



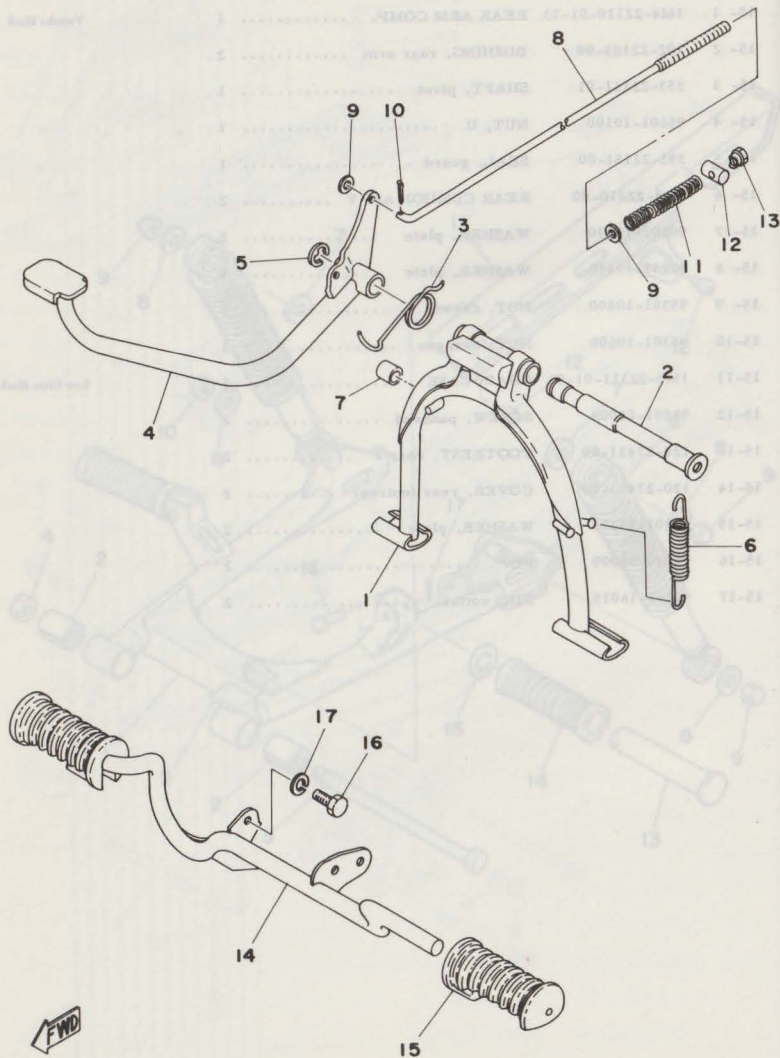
Fig. 15 REAR ARM · REAR CUSHION · CHAIN CASE



REAR ARM · REAR CUSHION · CHAIN CASE

Ref. No.	Parts No.	Description	Q'ty	Applicable Machine No.	Remarks
15-1	1M4-22110-01-33	REAR ARM COMP. ....	1		Yamaha Black
15-2	102-22123-00	BUSHING, rear arm ....	2		
15-3	353-22141-01	SHAFT, pivot ....	1		
15-4	95601-10100	NUT, U ....	1		
15-5	395-22151-00	SEAL, guard ....	1		
15-6	1M3-22210-00	REAR CUSHION ASS'Y ....	2		
15-7	90201-12190	WASHER, plate ....	2		
15-8	90201-10140	WASHER, plate ....	4		
15-9	95301-10800	NUT, crown ....	3		
15-10	95301-10600	NUT, hexagon ....	1		
15-11	1M3-22311-01-98	CHAIN CASE ....	1		Low Gloss Black
15-12	98501-05008	SCREW, panhead ....	2		
15-13	120-27431-00	FOOTREST, rear 1 ....	2		
15-14	120-27433-00	COVER, rear footrest ....	2		
15-15	90201-20279	WASHER, plate ....	2		
15-16	90240-06009	PIN ....	2		
15-17	91401-16015	PIN, cotter ....	2		

Fig. 16 STAND · FOOTREST · BRAKE PEDAL

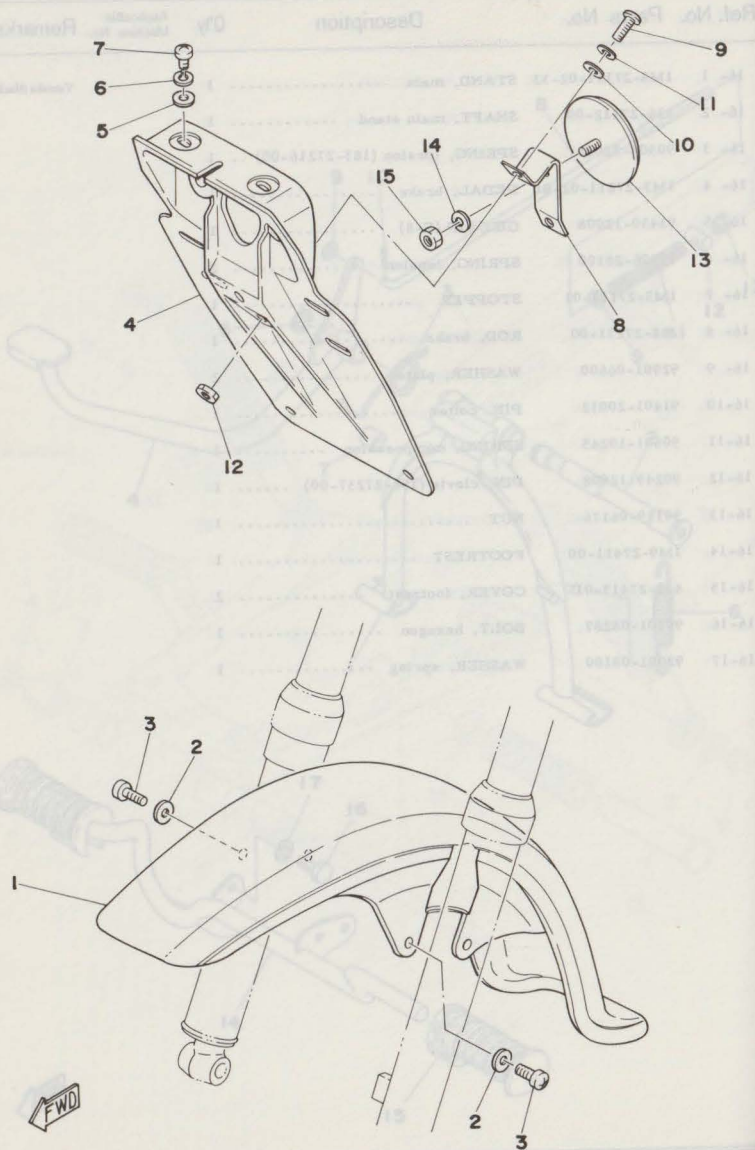


STAND · FOOTREST · BRAKE PEDAL

Ref. No.	Parts No.	Description	Q'ty	Applicable Machine No.	Remarks
16-1	1M3-27111-02-33	STAND, main	1		Yamaha Black
16-2	336-27112-00	SHAFT, main stand	1		
16-3	90508-32056	SPRING, torsion (183-27216-00)	1		
16-4	1M3-27211-02-91	PEDAL, brake	1		
16-5	93430-12008	CIRCLIP (E-8)	1		
16-6	90506-28100	SPRING, tension	2		
16-7	1M3-27114-01	STOPPER	1		
16-8	208-27231-00	ROD, brake	1		
16-9	92901-06600	WASHER, plate	2		
16-10	91401-20012	PIN, cotter	1		
16-11	90501-10245	SPRING, compression	1		
16-12	90249-12008	PIN, clevis (156-27237-00)	1		
16-13	90179-06176	NUT	1		
16-14	1M9-27411-00	FOOTREST	1		
16-15	441-27413-01	COVER, footrest	2		
16-16	90101-08287	BOLT, hexagon	1		
16-17	92901-08100	WASHER, spring	1		



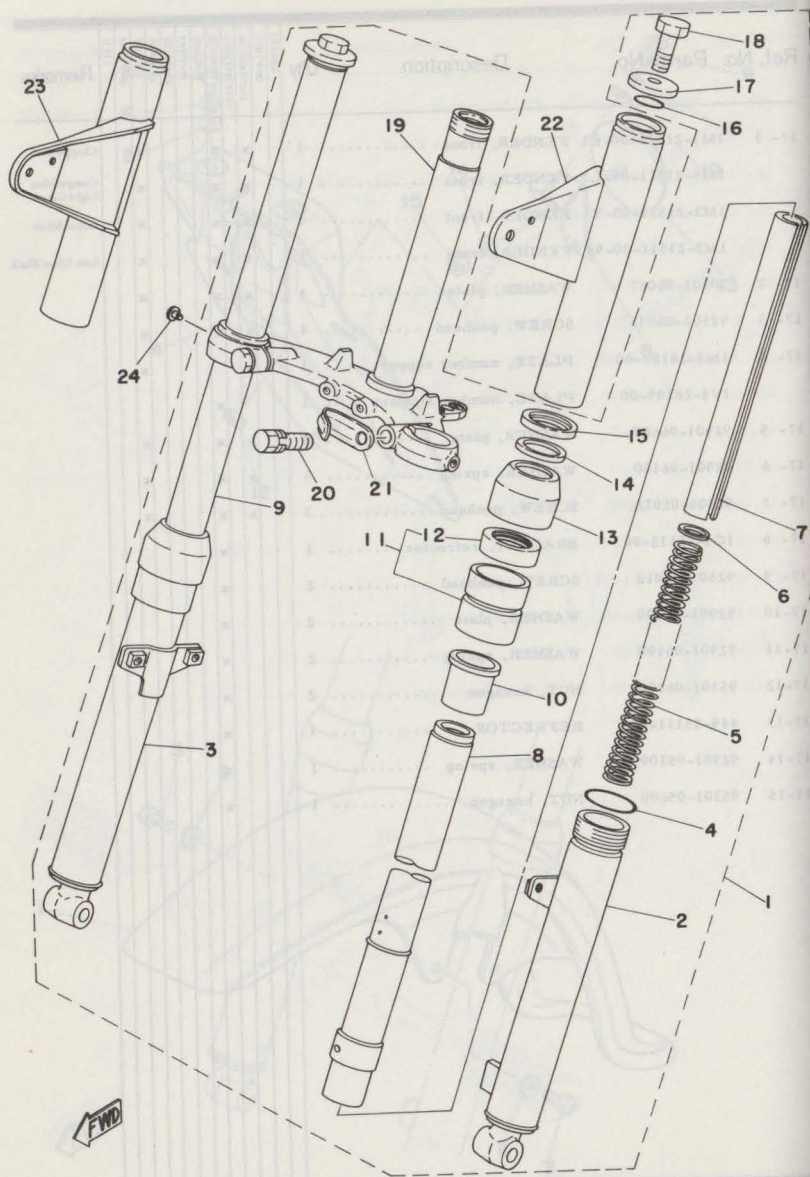
Fig. 17 FRONT FENDER · REAR FENDER



FRONT FENDER · REAR FENDER

Ref. No.	Parts No.	Description	Q'ty											Remarks		
				FRANCE	HOLLAND	SWITZERLAND	WEST GERMANY	GERMANY	NETHERLANDS	DENMARK	NORWAY	AUSTRIA	ENGLAND		ITALY	
17-1	1M3-21511-00-E1	FENDER, front	1													Chappy Red
	1M3-21511-00-L3	FENDER, front	1													Competition Light Green
	1M3-21511-00-Y7	FENDER, front	1													Royal Silver
	1M3-21511-00-98	FENDER, front	1													Low Gloss Black
17-2	90201-06067	WASHER, plate	4													
17-3	92501-06015	SCREW, panhead	4													
17-4	1M3-28189-00	PLATE, number support	1													
	1V4-28189-00	PLATE, number support	1													
17-5	92901-06600	WASHER, plate	3													
17-6	92901-06100	WASHER, spring	3													
17-7	92506-06018	SCREW, panhead	3													
17-8	1G4-85132-00	BRACKET, reflector	1													
17-9	92501-06012	SCREW, panhead	2													
17-10	92901-06600	WASHER, plate	2													
17-11	92901-06100	WASHER, spring	2													
17-12	95301-06700	NUT, hexagon	2													
17-13	449-85131-01	REFLECTOR	1													
17-14	92901-05100	WASHER, spring	1													
17-15	95301-05600	NUT, hexagon	1													

Fig.18 FRONT FORK

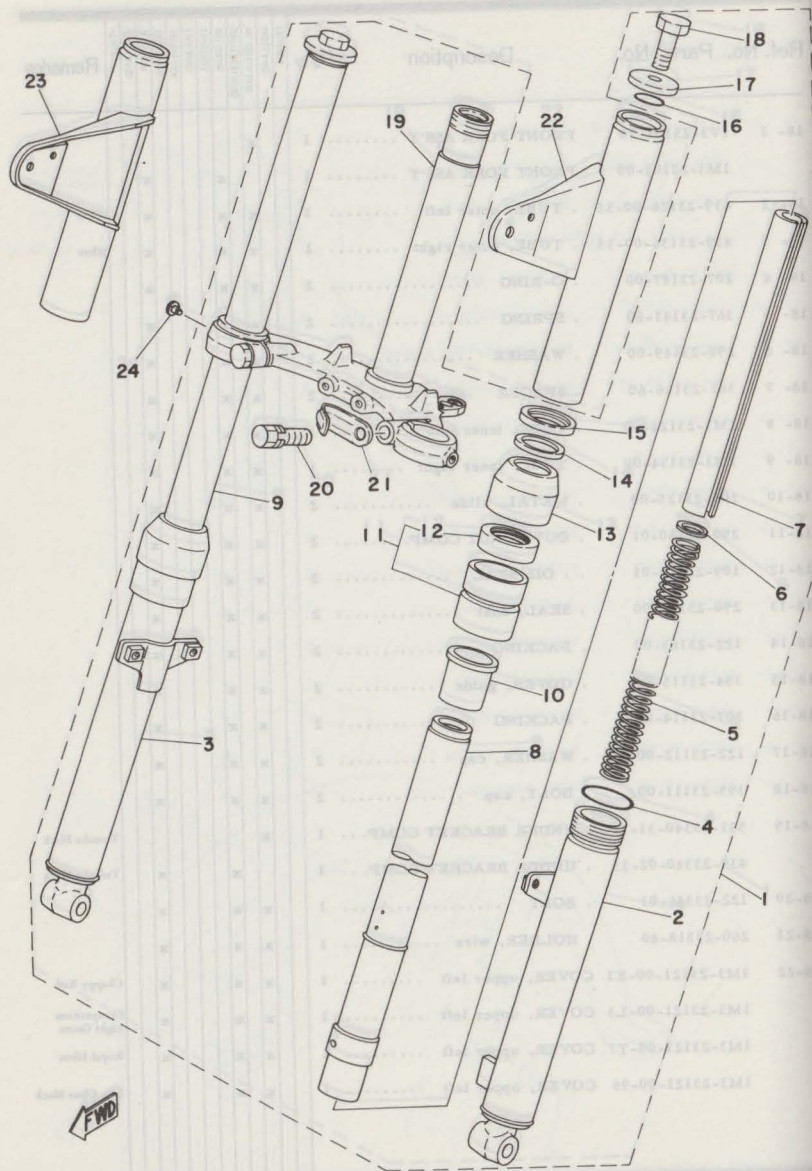


FRONT FORK

Ref. No.	Parts No.	Description	Qty	FRANCE	HOLLAND	SWITZERLAND W. GERMANY	BELGIUM	SWEDEN	FINLAND	DENMARK	NORWAY	AUSTRIA	ENGLAND	ITALY	Remarks
18.1	1V3-23101-30	FRONT FORK ASS'Y	1	x											
	1M3-23101-00	FRONT FORK ASS'Y	1			x									Silver
18.2	439-23126-00-35	TUBE, outer left	1	x	x										Silver
18.3	439-23136-00-35	TUBE, outer right	1	x	x										Silver
18.4	207-23147-00	O-RING	2	x	x										
18.5	367-23141-60	SPRING	2	x	x										
18.6	290-23149-00	WASHER	2	x	x										
18.7	367-23166-60	SPACER	2	x	x										
18.8	1M3-23124-00	TUBE, inner left	1	x	x										
18.9	1M3-23134-00	TUBE, inner right	1	x	x										
18.10	109-23125-00	METAL, slide	2	x	x										
18.11	290-23150-01	OUTER NUT COMP.	2	x	x										
18.12	109-23145-01	OIL SEAL	2	x	x										
18.13	290-23144-00	SEAL, dust	2	x	x										
18.14	122-23163-00	PACKING	2	x	x										
18.15	354-23115-90	COVER, guide	2	x	x										
18.16	307-23114-00	PACKING	2	x	x										
18.17	122-23112-00	WASHER, cap	2	x	x										
18.18	395-23111-00	BOLT, cap	2	x	x										
18.19	551-23340-31-33	UNDER BRACKET COMP.	1		x										Yamaha Black
	439-23340-02-33	UNDER BRACKET COMP.	1			x									Yamaha Black
18.20	122-23346-01	BOLT	1	x	x										
18.21	260-23318-40	HOLDER, wire	1	x	x										
18.22	1M3-23121-00-E1	COVER, upper left	1	x	x										Chappy Red
	1M3-23121-00-L3	COVER, upper left	1	x	x										Competition Light Green
	1M3-23121-00-Y7	COVER, upper left	1	x	x										Royal Silver
	1M3-23121-00-98	COVER, upper left	1	x	x										Low Gloss Black



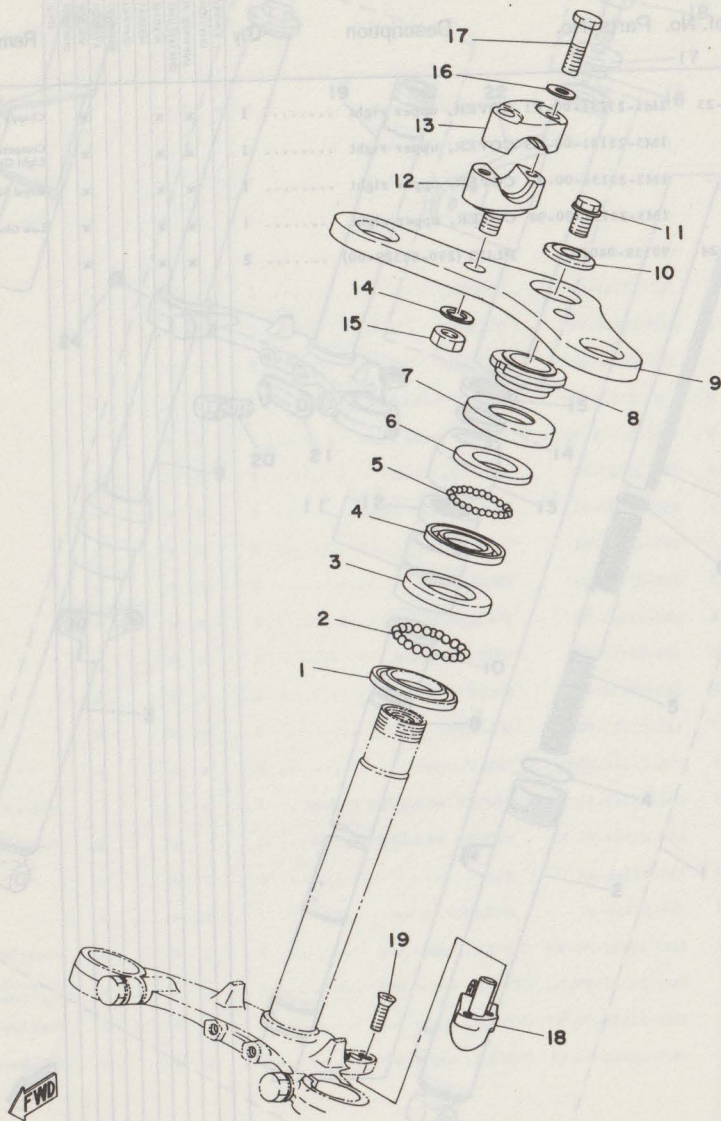
Fig. 18 FRONT FORK



FRONT FORK

Ref. No.	Parts No.	Description	Q'ty	FRANCE	HOLLAND	SWITZERLAND	WEST GERMANY	BELGIUM	FINLAND	DENMARK	NORWAY	AUSTRIA	ITALY	Remarks
18-23	1M3-23131-00-E1	COVER, upper right	1	x	x							x		Chappy Red
	1M3-23131-00-L3	COVER, upper right	1	x	x							x		Competition Light Green
	1M3-23131-00-Y7	COVER, upper right	1	x	x							x		Royal Silver
	1M3-23131-00-98	COVER, upper right	1	x	x							x		Low Gloss Black
18-24	90338-04010	PLUG (290-83329-00)	2	x	x							x		

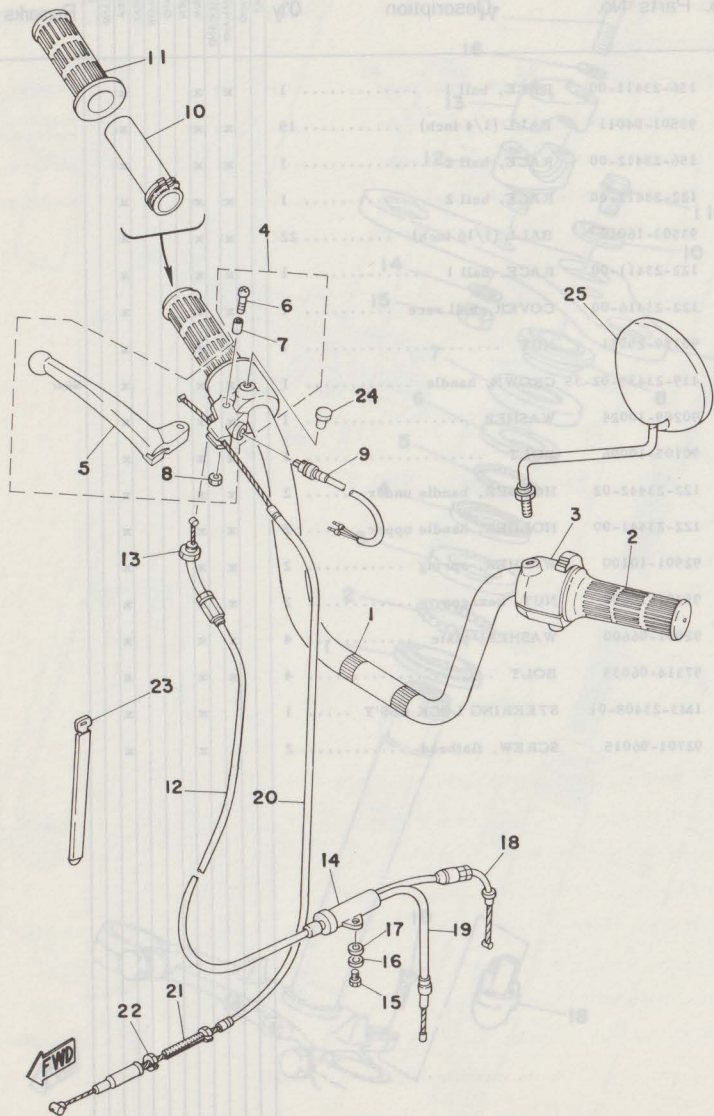
Fig. 19 STEERING



Ref. No.	Parts No.	Description	Q'ty											Remarks					
				FRANCE	HOLLAND	SWITZERLAND	GERMANY	BELGIUM	SPAIN	DENMARK	NORWAY	AUSTRIA	ITALY		ENGLAND				
19-1	156-23411-00	RACE, ball 1	1																
19-2	93501-04011	BALL (1/4 inch)	19	x		x													
19-3	156-23412-00	RACE, ball 2	1																
19-4	122-23412-00	RACE, ball 2	1	x		x													
19-5	93503-16010	BALL (3/16 inch)	22	x		x													
19-6	122-23411-00	RACE, ball 1	1	x		x													
19-7	122-23416-00	COVER, ball race	1	x		x													
19-8	90179-25051	NUT	1	x		x													
19-9	439-23435-02-35	CROWN, handle	1	x		x													Silver
19-10	90209-10021	WASHER	1	x		x													
19-11	90105-10006	BOLT	1	x		x													
19-12	122-23442-02	HOLDER, handle under	2	x		x													
19-13	122-23441-00	HOLDER, handle upper	2	x		x													
19-14	92901-10100	WASHER, spring	2	x		x													
19-15	95301-10600	NUT, hexagon	2	x		x													
19-16	92901-06600	WASHER, plate	4	x		x													
19-17	97314-06035	BOLT	4	x		x													
19-18	1M3-23408-01	STEERING LOCK ASS'Y	1																
19-19	92701-06015	SCREW, flathead	2																



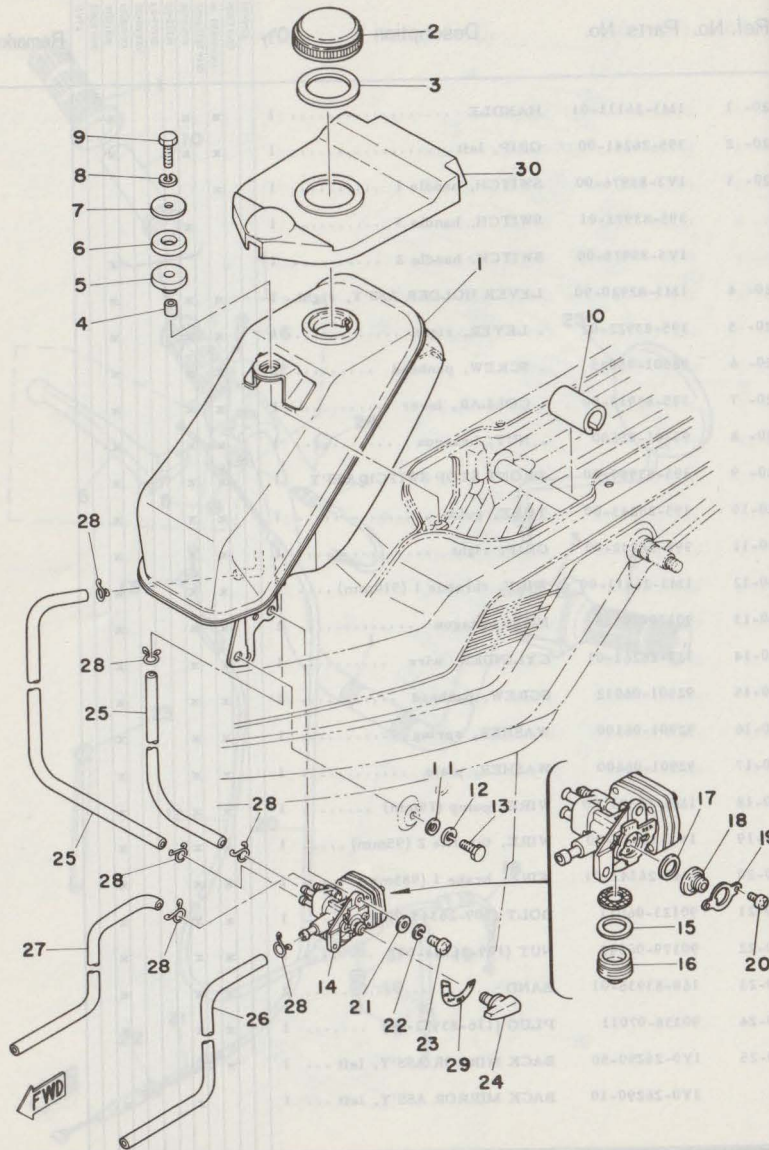
Fig. 20 HANDLE · WIRE



HANDLE · WIRE

Ref. No.	Parts No.	Description	Qty	FRANCE	HOLLAND	SWITZERLAND W. GERMANY	BELGIUM	SWEDEN	DENMARK	NORWAY	AUSTRIA	ITALY	Remarks
20-1	1M3-26111-01	HANDLE .....	1	x	x						x		
20-2	395-26241-00	GRIP, left .....	1	x	x						x		
20-3	1V3-83976-00	SWITCH, handle 1 .....	1	x									
	395-83973-01	SWITCH, handle 3 .....	1				x						
	1V5-83975-00	SWITCH, handle 2 .....	1								x		
20-4	1M3-82920-90	LEVER HOLDER ASS'Y, right	1	x	x						x		
20-5	395-83922-02	LEVER, right .....	1	x	x						x		
20-6	98501-05025	SCREW, panhead .....	1	x	x						x		
20-7	395-83913-00	COLLAR, lever .....	1	x	x						x		
20-8	95301-05600	NUT, hexagon .....	1	x	x						x		
20-9	395-83980-00	FRONT STOP SWITCH ASS'Y	1	x	x						x		
20-10	395-26243-00	TUBE, guide .....	1	x	x								
20-11	395-26242-00	GRIP, right .....	1	x	x						x		
20-12	1M3-26311-00	WIRE, throttle 1 (510mm) ...	1	x	x						x		
20-13	90170-10038	NUT, hexagon .....	1	x	x						x		
20-14	137-26261-01	CYLINDER, wire .....	1	x	x						x		
20-15	92501-06012	SCREW, panhead .....	1	x	x						x		
20-16	92901-06100	WASHER, spring .....	1	x	x						x		
20-17	92901-06600	WASHER, plate .....	1	x	x						x		
20-18	1M3-26321-00	WIRE, pump (75mm) .....	1	x	x						x		
20-19	1V3-26312-00	WIRE, throttle 2 (95mm) ...	1	x	x						x		
20-20	1M3-26341-01	WIRE, brake 1 (985mm) ...	1	x	x						x		
20-21	90123-06011	BOLT (109-26345-00) .....	1	x	x						x		
20-22	90179-06143	NUT (109-26344-00) .....	1	x	x						x		
20-23	168-83936-01	BAND .....	2	x	x						x		
20-24	90338-07011	PLUG (116-83931-00) .....	1	x	x						x		
20-25	1Y0-26290-50	BACK MIRROR ASS'Y, left ...	1	x								x	
	1Y0-26290-10	BACK MIRROR ASS'Y, left ...	1				x					x	

Fig. 21 FUEL TANK

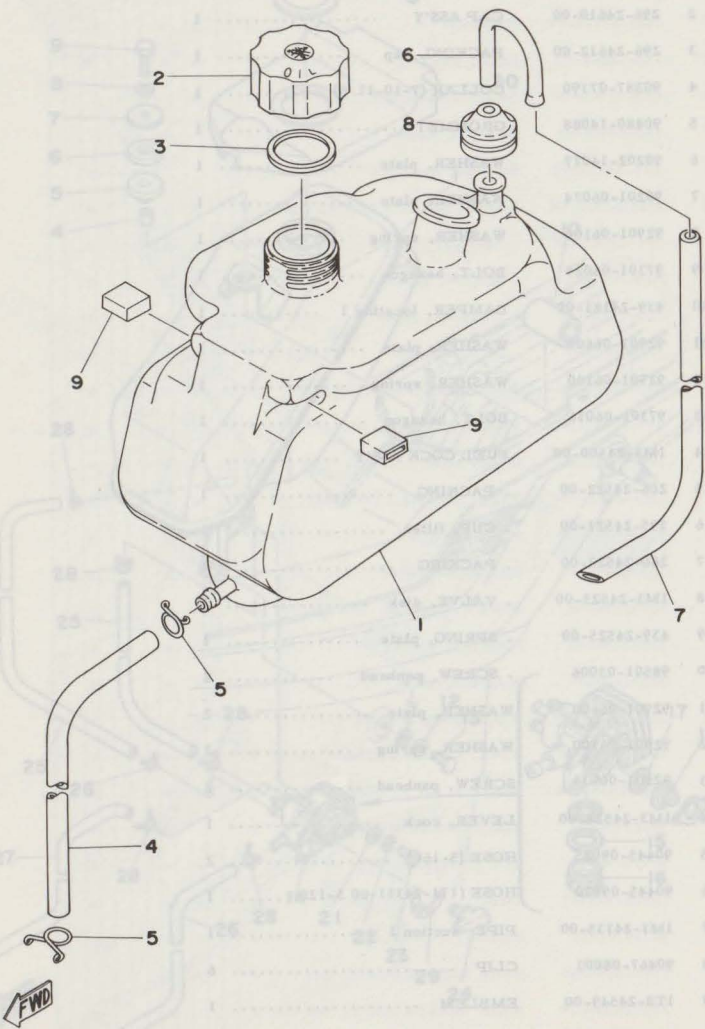


FUEL TANK

Ref. No.	Parts No.	Description	Q'ty	Applicable Machine No.	Remarks
11-1	1M3-24110-00	FUEL TANK COMP. ....	1		
11-2	296-24610-00	CAP ASS'Y ....	1		
11-3	296-24612-00	PACKING, cap ....	1		
11-4	90387-07390	COLLAR (7-10-11.5) ....	1		
11-5	90480-14088	GROMMET ....	1		
11-6	90202-14077	WASHER, plate ....	1		
11-7	90201-06074	WASHER, plate ....	1		
11-8	92901-06100	WASHER, spring ....	1		
11-9	97301-06025	BOLT, hexagon ....	1		
11-10	439-24181-00	DAMPER, locating l ....	1		
11-11	92901-06600	WASHER, plate ....	1		
11-12	92901-06100	WASHER, spring ....	1		
11-13	97301-06016	BOLT, hexagon ....	1		
11-14	1M3-24500-00	FUEL COCK ASS'Y ....	1		
11-15	266-24522-00	. PACKING ....	1		
11-16	395-24521-00	. CUP, filter ....	1		
11-17	266-24523-00	. PACKING ....	1		
11-18	1M3-24523-00	. VALVE, disk ....	1		
11-19	439-24525-00	. SPRING, plate ....	1		
11-20	98501-03006	. SCREW, panhead ....	2		
11-21	92901-06600	WASHER, plate ....	2		
11-22	92901-06100	WASHER, spring ....	2		
11-23	92501-06015	SCREW, panhead ....	2		
11-24	1M3-24524-00	LEVER, cock ....	1		
11-25	90445-09085	HOSE (5-160) ....	2		
11-26	90445-09070	HOSE (174-24331-00 5-120) ....	1		
11-27	1M3-24335-00	PIPE, suction l ....	1		
11-28	90467-08003	CLIP ....	6		
11-29	1T8-24549-00	EMBLEM ....	1		
11-30	1M3-24198-00	SEAT, rubber ....	1		



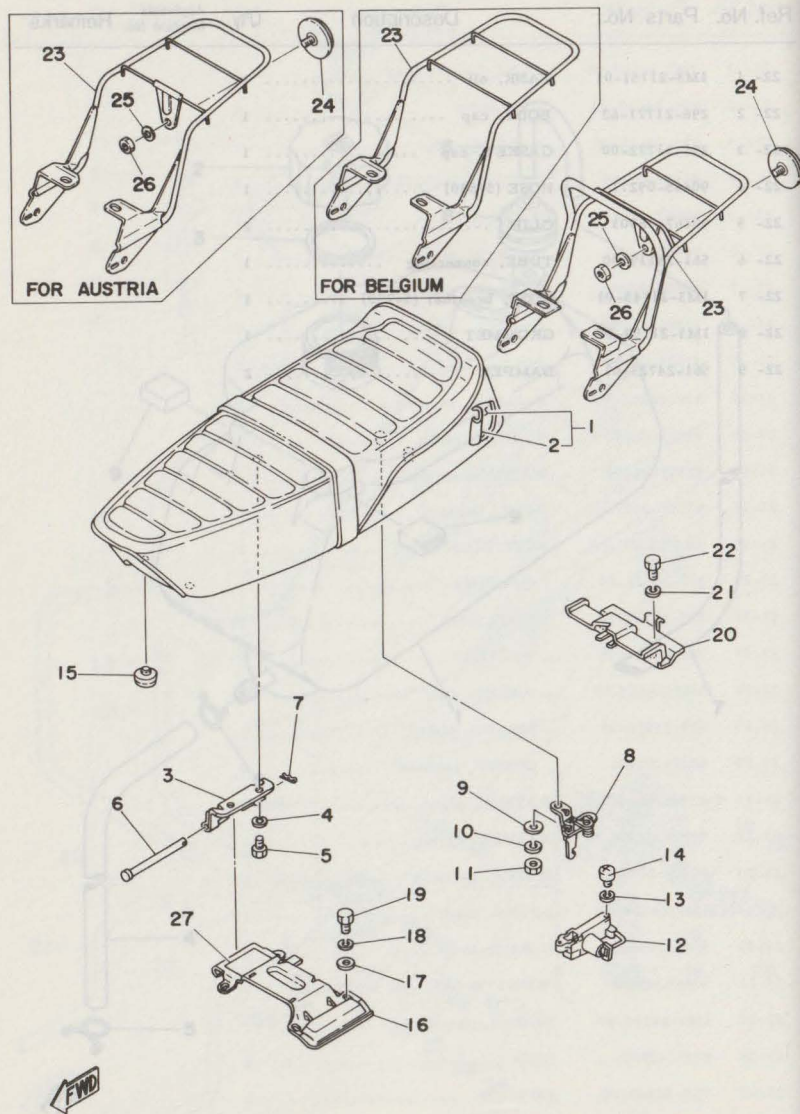
Fig. 22 OIL TANK



OIL TANK

Ref. No.	Parts No.	Description	Qty	Applicable Machine No.	Remarks
1	1M3-21751-01	TANK, oil	1		
2	296-21771-62	BODY, cap	1		
3	296-21772-00	GASKET, cap	1		
4	90445-09271	HOSE (5-630)	1		
5	90467-08003	CLIP	2		
6	561-24119-00	TUBE, connecting	1		
7	1M3-21745-01	HOSE, breather (5-750)	1		
8	1M3-21759-00	GROMMET	1		
9	561-24723-01	DAMPER	2		

Fig. 23 SEAT

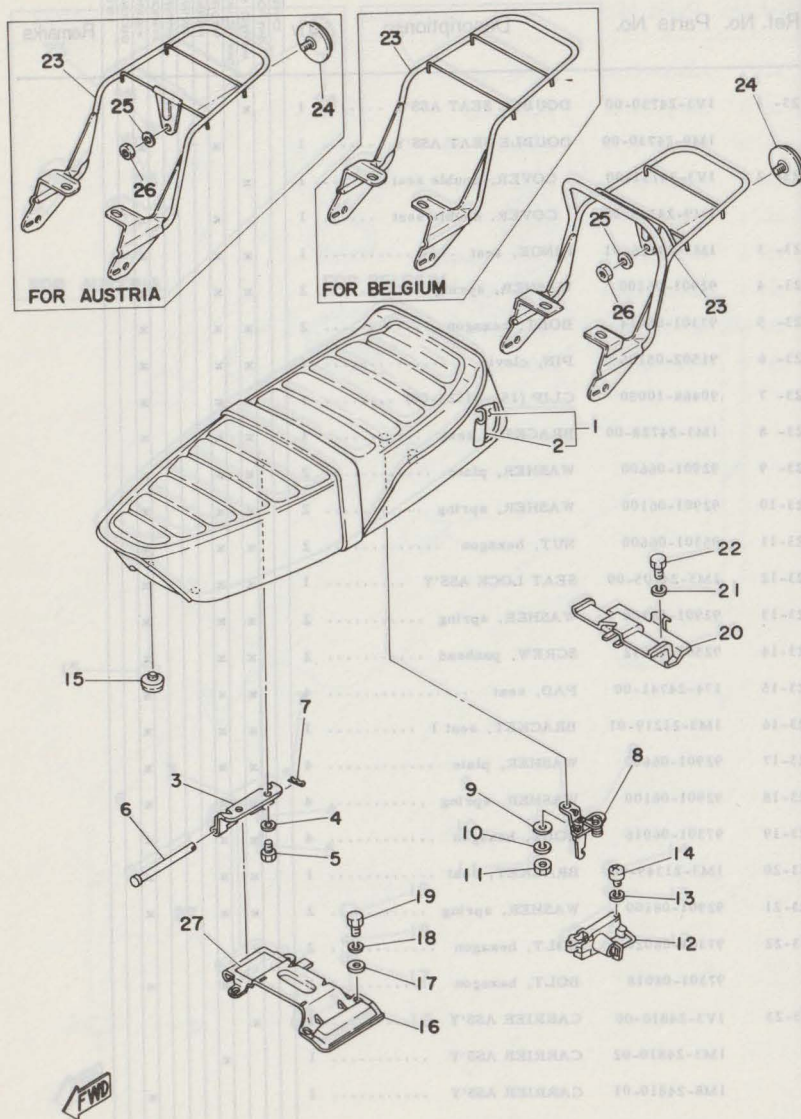


SEAT

Ref. No.	Parts No.	Description	Qty	FRANCE	HOLLAND	GERMANY	SWITZERLAND	BEIJUM	SWEDEN	FINLAND	DENMARK	NORWAY	AUSTRIA	ENGLAND	ITALY	Remarks
1	1V3-24730-00	DOUBLE SEAT ASS'Y	1	x												
	1M9-24730-00	DOUBLE SEAT ASS'Y	1				x								x	
2	1V3-24731-00	. COVER, double seat	1	x												
	1M9-24731-00	. COVER, double seat	1				x								x	
3	1M3-24726-01	HINGE, seat	1	x	x										x	
4	92901-06100	WASHER, spring	2	x	x										x	
5	97301-06014	BOLT, hexagon	2	x	x										x	
6	91502-05105	PIN, clevis	1	x	x										x	
7	90468-10050	CLIP (156-83525-00)	1	x	x										x	
8	1M3-24728-00	BRACKET, seat	1	x	x										x	
9	92901-06600	WASHER, plate	2	x	x										x	
10	92901-06100	WASHER, spring	2	x	x										x	
11	95301-06600	NUT, hexagon	2	x	x										x	
12	1M3-24705-00	SEAT LOCK ASS'Y	1	x	x										x	
13	92901-06100	WASHER, spring	2	x	x										x	
14	92501-06012	SCREW, panhead	2	x	x										x	
15	174-24741-00	PAD, seat	4	x	x										x	
16	1M3-21219-01	BRACKET, seat 1	1	x	x										x	
17	92901-06600	WASHER, plate	4	x	x										x	
18	92901-06100	WASHER, spring	4	x	x										x	
19	97301-06016	BOLT, hexagon	4	x	x										x	
20	1M3-21349-00	BRACKET, seat	1	x	x										x	
21	92901-08100	WASHER, spring	2	x	x										x	
22	97301-08020	BOLT, hexagon	2	x												
	97301-08018	BOLT, hexagon	2		x											x
23	1V3-24810-00	CARRIER ASS'Y	1	x												
	1M3-24810-02	CARRIER ASS'Y	1				x									
	1M8-24810-01	CARRIER ASS'Y	1													x

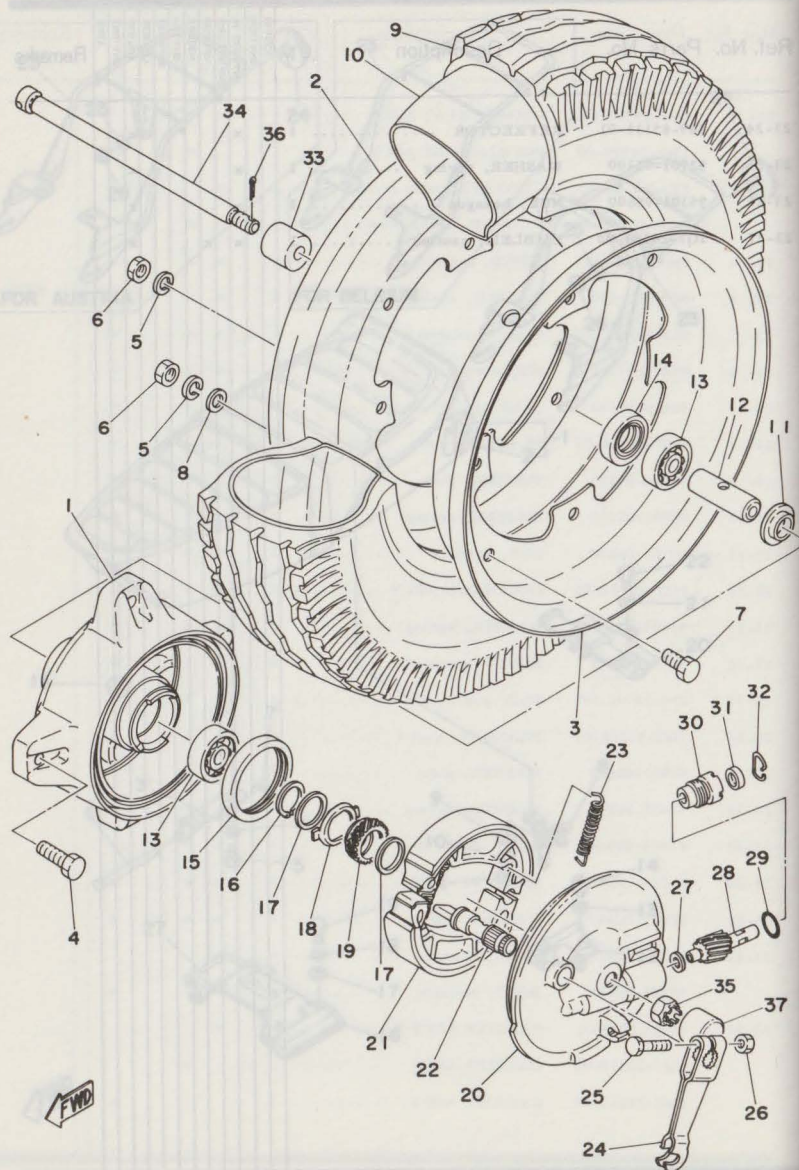


Fig. 23 SEAT



Ref. No.	Parts No.	Description	Q'ty	FRANCE	HOLLAND	SWITZERLAND	W. GERMANY	FINLAND	GERMANY	NORWAY	AUSTRIA	ENGLAND	ITALY	Remarks
11-24	449-85131-01	REFLECTOR	1		x						x			
11-25	92901-05100	WASHER, spring	1		x						x			
11-26	95301-05600	NUT, hexagon	1		x						x			
11-27	1G7-24164-00	EMBLEM, caution	1	x	x						x			

Fig. 24 FRONT WHEEL

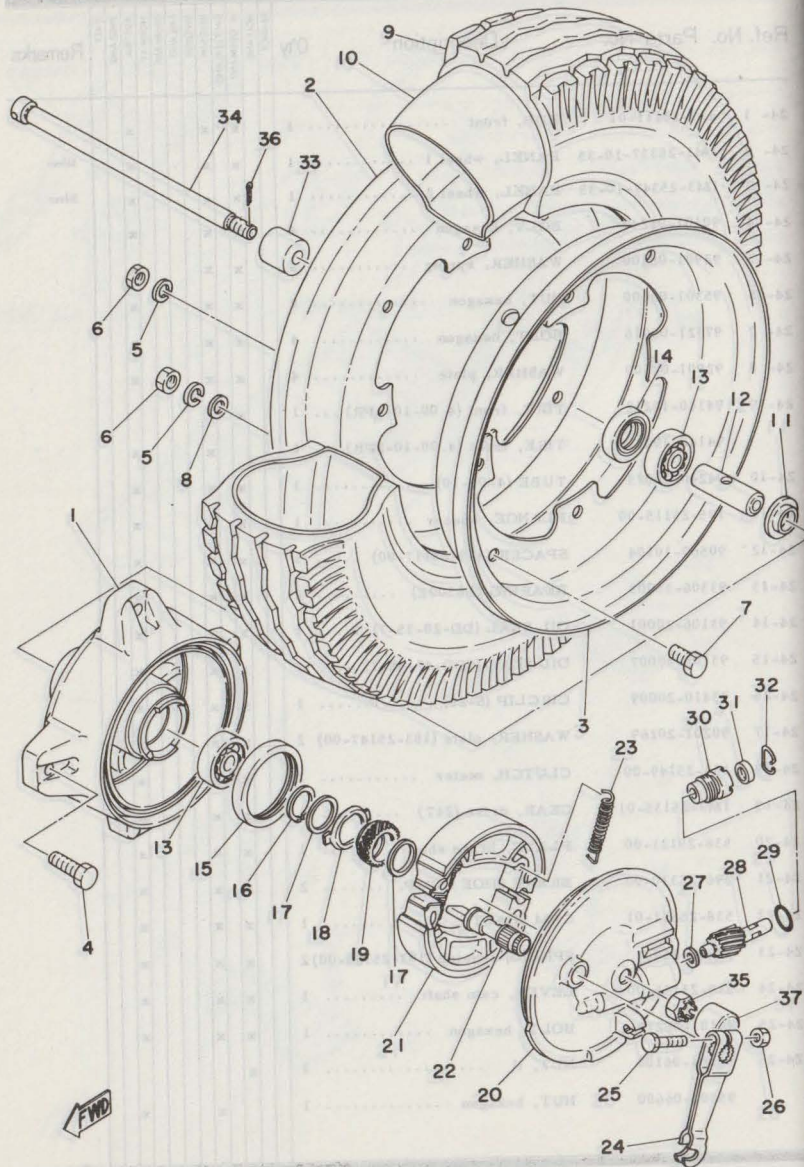


FRONT WHEEL

Ref. No.	Parts No.	Description	Q'ty	COUNTRY											Remarks			
				HOLLAND	FRANCE	GERMANY	SWITZERLAND	BELGIUM	SWEDEN	DENMARK	FINLAND	NORWAY	AUSTRIA	ENGLAND		ITALY		
14-1	439-25111-01	HUB, front	1	x	x													
14-2	1M3-25337-10-35	PANEL, wheel 1	1	x	x													Silver
14-3	1M3-25347-10-35	PANEL, wheel 2	1	x	x													Silver
14-4	90101-08249	BOLT, hexagon	4	x	x													
14-5	92901-08100	WASHER, spring	8	x	x													
14-6	95301-08600	NUT, hexagon	8	x	x													
14-7	97321-08016	BOLT, hexagon	4	x	x													
14-8	92901-08600	WASHER, plate	4	x	x													
14-9	94140-10212	TIRE, front (4.00-10-4PR)	1	x														
	94140-10235	TIRE, front (4.00-10-2PR)	1		x													
14-10	94240-10073	TUBE (4.00-10)	1															
14-11	195-25115-00	FLANGE, spacer	1	x	x													
14-12	90560-10104	SPACER (439-25117-00)	1	x	x													
14-13	93306-30003	BEARING (B6300Z)	2	x	x													
14-14	93106-20001	OIL SEAL (DD-20-35-7)	1	x	x													
14-15	93105-47007	OIL SEAL (SDD-47-58-7)	1	x	x													
14-16	93410-20009	CIRCLIP (S-20)	1	x	x													
14-17	90201-20269	WASHER, plate (183-25147-00)	2	x	x													
14-18	183-25149-00	CLUTCH, meter	1	x	x													
14-19	1M3-25135-01	GEAR, drive (24T)	1	x	x													
14-20	538-25121-00	PLATE, brake shoe	1	x	x													
14-21	296-25330-00	BRAKE SHOE COMP.	2	x	x													
14-22	538-25351-01	CAM SHAFT	1	x	x													
14-23	90506-16034	SPRING, tension (102-25333-00)	2	x	x													
14-24	538-25155-00	LEVER, cam shaft	1	x	x													
14-25	90101-06278	BOLT, hexagon	1	x	x													
14-26	95601-06100	NUT, U	1	x														
	95301-06600	NUT, hexagon	1		x													



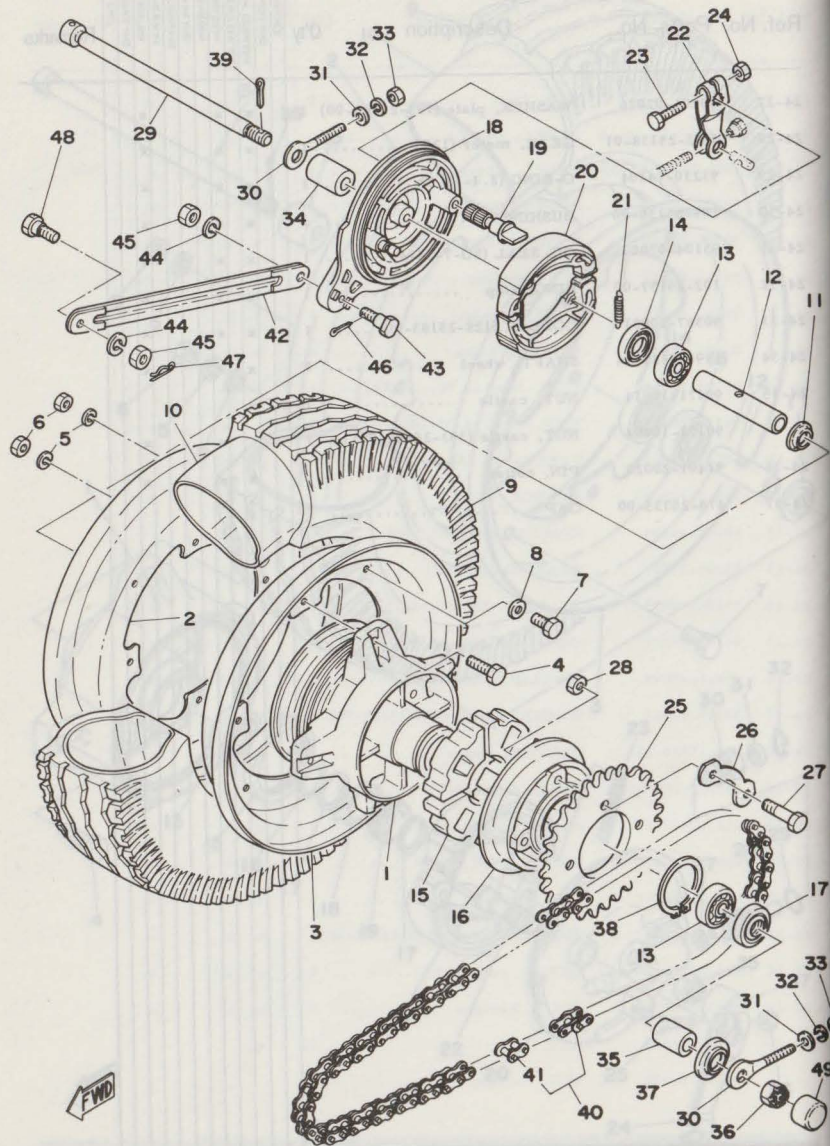
Fig. 24 FRONT WHEEL



Ref. No.	Parts No.	Description	Q'ty	FRANCE	HOLLAND	GERMANY	SWITZERLAND	SWEDEN	DENMARK	NETHERLANDS	AUSTRIA	ENGLAND	ITALY	Remarks
24-27	90201-07076	WASHER, plate (183-25146-00)	1	x	x							x		
24-28	1M3-25138-01	GEAR, meter (12T)	1	x	x							x		
24-29	93210-14104	O-RING (2.4-13.8)	1	x	x							x		
24-30	109-25136-00	BUSHING	1	x	x							x		
24-31	93104-07003	OIL SEAL (SO-7-14-4)	1	x	x							x		
24-32	102-25137-00	RING, stop	1	x	x							x		
24-33	90387-10081	COLLAR (128-25183-00)	1	x	x							x		
24-34	439-25181-01	SHAFT, wheel	1	x	x							x		
24-35	90171-10014	NUT, castle	1	x										
	90171-10004	NUT, castle (353-25182-00)	1			x								
24-36	91401-20020	PIN, cotter	1	x	x							x		
24-37	478-25335-00	CAP	1	x										



Fig. 25 REAR WHEEL

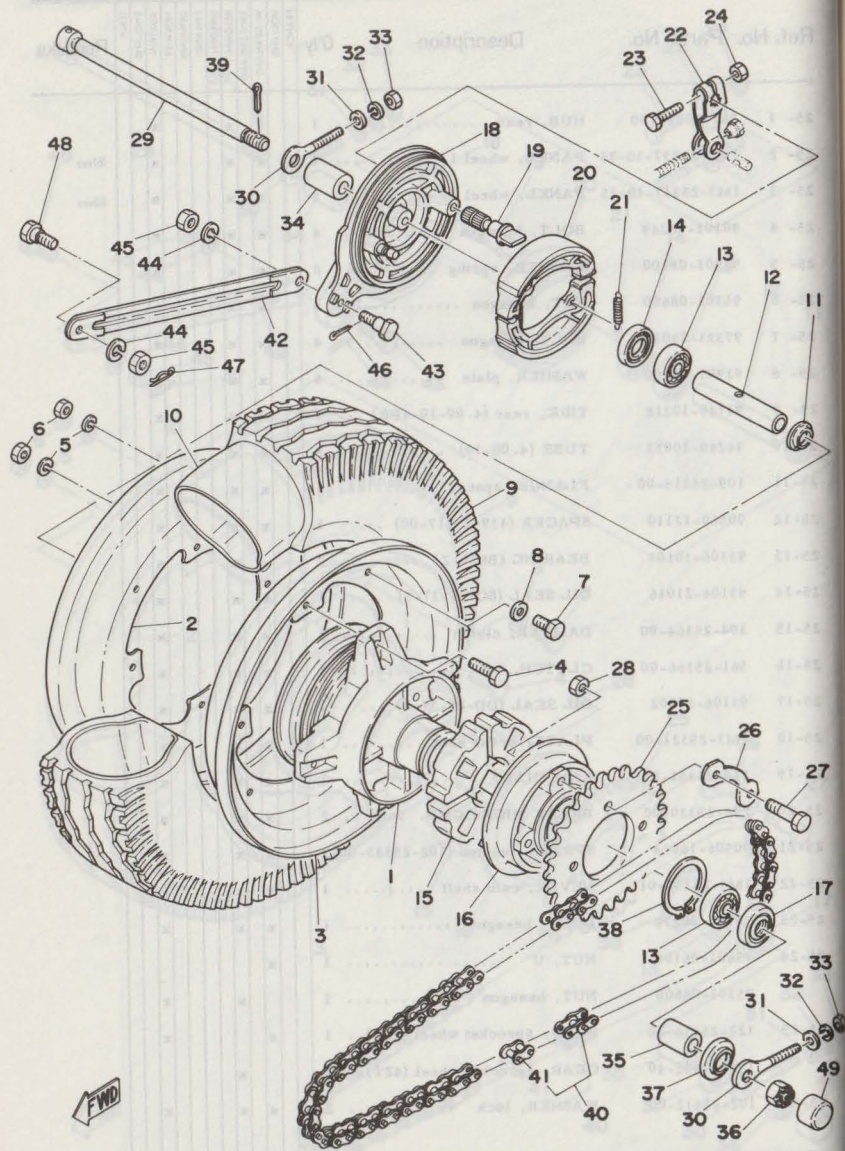


REAR WHEEL

Ref. No.	Parts No.	Description	Qty	FRANCE	HOLLAND	SWITZERLAND	WEST GERMANY	GERMANY	SWEDEN	BELGIUM	DENMARK	FINLAND	AUSTRIA	ENGLAND	ITALY	Remarks
1	561-25311-00	HUB, rear	1	x	x											
2	1M3-25337-10-35	PANEL, wheel 1	1	x	x											Silver
3	1M3-25347-10-35	PANEL, wheel 2	1	x	x											Silver
4	90101-08249	BOLT, hexagon	4	x	x											
5	92901-08100	WASHER, spring	8	x	x											
6	95301-08600	NUT, hexagon	8	x	x											
7	97321-08016	BOLT, hexagon	4	x	x											
8	92901-08600	WASHER, plate	4	x	x											
9	94140-10212	TIRE, rear (4.00-10-4PR)	1	x	x											
10	94240-10073	TUBE (4.00-10)	1	x	x											
11	109-25315-00	FLANGE, spacer	1	x	x											
12	90560-12110	SPACER (439-25317-00)	1	x	x											
13	93306-30103	BEARING (B6301Z)	2	x	x											
14	93104-21016	OIL SEAL (SO-21-37-7)	1	x	x											
15	304-25364-00	DAMPER, clutch	4	x	x											
16	561-25366-00	CLUTCH, hub	1	x	x											
17	93106-20002	OIL SEAL (DD-20-37-8)	1	x	x											
18	1M3-25321-00	PLATE, brake shoe	1	x	x											
19	538-25351-01	CAM SHAFT	1	x	x											
20	296-25330-00	BRAKE SHOE COMP.	2	x	x											
21	90506-16034	SPRING, tension (102-25333-00)	2	x	x											
22	1M3-25355-01	LEVER, cam shaft	1	x	x											
23	90101-06278	BOLT, hexagon	1	x	x											
24	95601-06100	NUT, U	1	x												
25	95301-06600	NUT, hexagon	1	x												
26	122-25436-40	GEAR, sprocket wheel (36T)	1	x												
27	122-25442-40	GEAR, sprocket wheel (42T)	1	x												
28	102-25412-00	WASHER, lock	2	x	x											



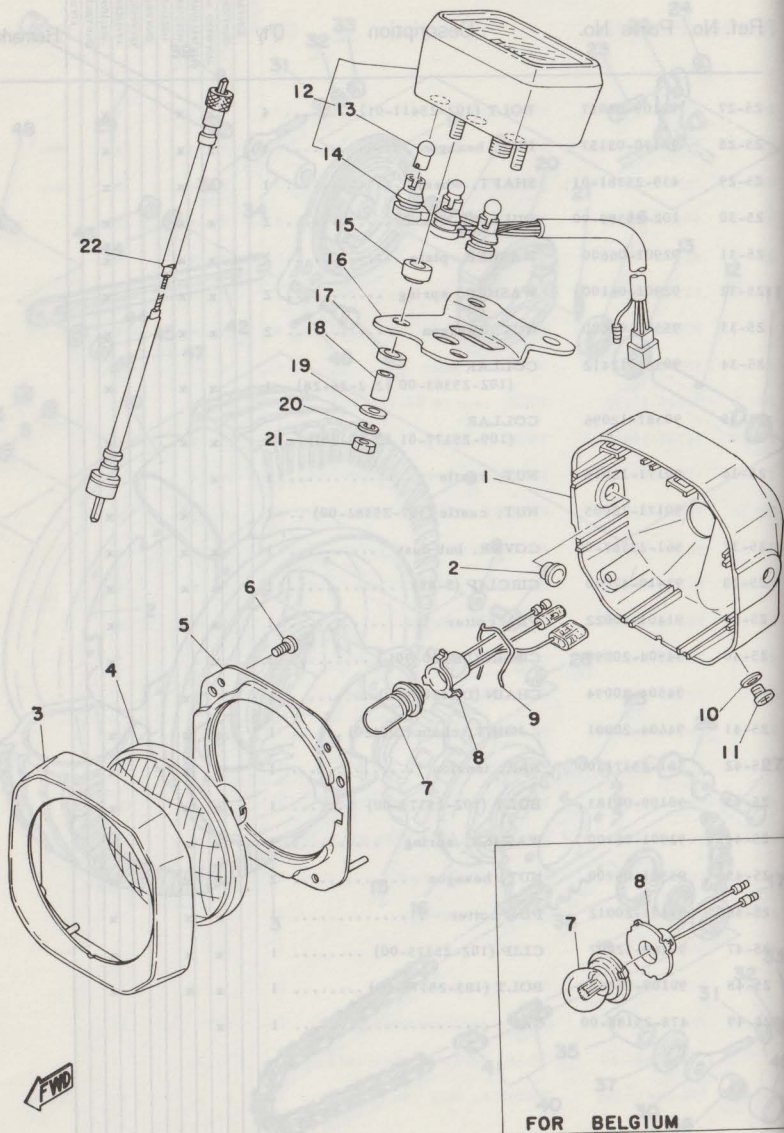
Fig. 25 REAR WHEEL



Ref. No.	Parts No.	Description	Q'ty	FRANCE	HOLLAND	GERMANY	SWITZERLAND	BEIJUM	SWEDEN	FINLAND	DENMARK	NORWAY	ENGLAND	ITALY	Remarks
25-27	90109-08057	BOLT (102-25411-01) . . . . .	4	x	x								x		
25-28	90170-08157	NUT, hexagon . . . . .	4	x	x								x		
25-29	439-25381-01	SHAFT, wheel . . . . .	1	x	x								x		
25-30	102-25389-00	PULLER, chain . . . . .	2	x	x								x		
25-31	92901-06600	WASHER, plate . . . . .	2	x	x								x		
25-32	92901-06100	WASHER, spring . . . . .	2	x	x								x		
25-33	95301-06600	NUT, hexagon . . . . .	2	x	x								x		
25-34	90387-12412	COLLAR (102-25383-00 12.2-26-28) . . . . .	1	x	x								x		
25-35	90387-12096	COLLAR (109-25377-01 12-20-20) . . . . .	1	x	x								x		
25-36	90171-12015	NUT, castle . . . . .	1	x									x		
	90171-12005	NUT, castle (367-25382-00) . . . . .	1				x						x		
25-37	561-25367-00	COVER, hub dust . . . . .	1	x	x								x		
25-38	93410-47030	CIRCLIP (S-47) . . . . .	1	x	x								x		
25-39	91401-30022	PIN, cotter . . . . .	1	x	x								x		
25-40	94504-20090	CHAIN (DK420-90L) . . . . .	1	x									x		
	94504-20094	CHAIN (DK420-94L) . . . . .	1			x							x		
25-41	94604-20001	JOINT, chain (DK420) . . . . .	1	x	x								x		
25-42	561-25371-00	BAR, tension . . . . .	1	x	x								x		
25-43	90109-08183	BOLT (102-25373-00) . . . . .	1	x	x								x		
25-44	92901-08100	WASHER, spring . . . . .	2	x	x								x		
25-45	95301-08700	NUT, hexagon . . . . .	2	x	x								x		
25-46	91401-20012	PIN, cotter . . . . .	1	x	x								x		
25-47	90468-12007	CLIP (102-25375-00) . . . . .	1	x	x								x		
25-48	90109-08368	BOLT (183-25378-00) . . . . .	1	x	x								x		
25-49	478-25188-00	CAP . . . . .	1	x											



Fig. 26 HEAD LAMP · SPEEDOMETER

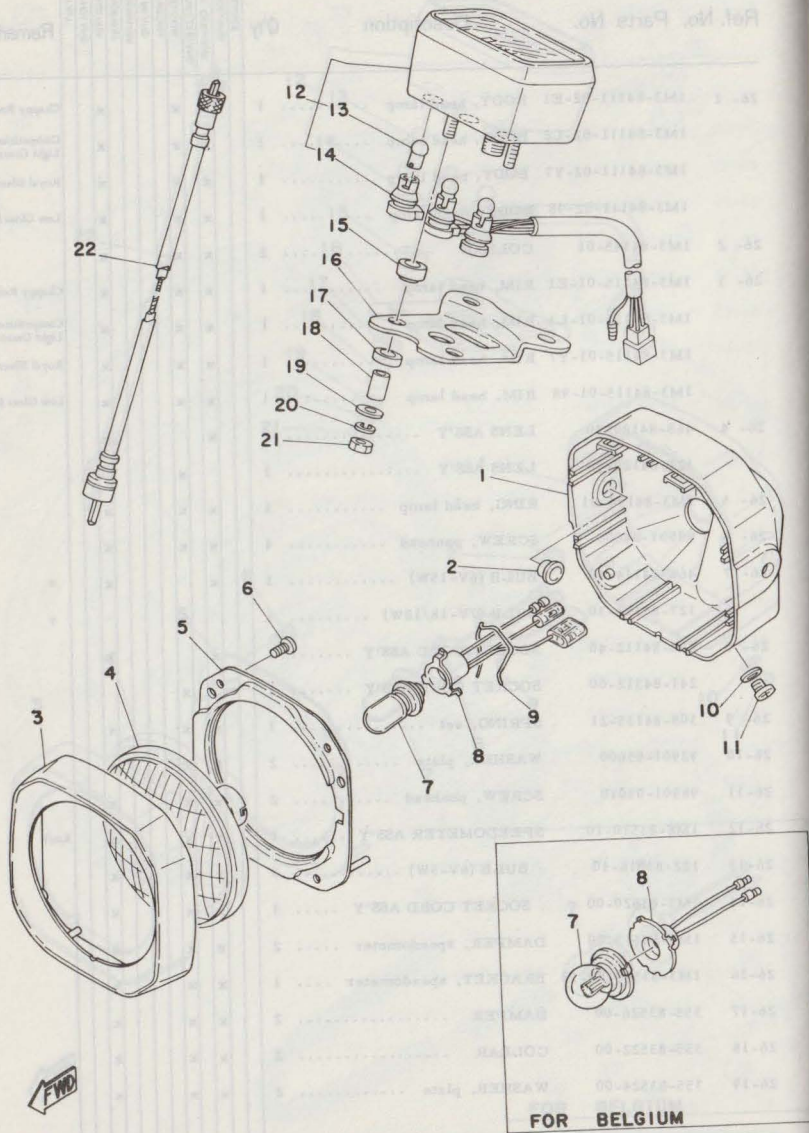


HEAD LAMP · SPEEDOMETER

Ref. No.	Parts No.	Description	Q'ty	COUNTRY										Remarks	
				FRANCE	HOLLAND	SWITZERLAND	WEST GERMANY	FINLAND	SWEDEN	DENMARK	NETHERLANDS	ENGLAND	ITALY		
26-1	1M3-84111-02-E1	BODY, head lamp	1	x	x										Chappy Red
	1M3-84111-02-L3	BODY, head lamp	1	x	x										Competition Light Green
	1M3-84111-02-Y7	BODY, head lamp	1	x	x										Royal Silver
	1M3-84111-02-98	BODY, head lamp	1	x	x										Low Gloss Black
26-2	1M3-84145-01	COLLAR	2	x	x										
	26-3	1M3-84115-01-E1	RIM, head lamp	1	x	x									Chappy Red
		1M3-84115-01-L3	RIM, head lamp	1	x	x									Competition Light Green
		1M3-84115-01-Y7	RIM, head lamp	1	x	x									Royal Silver
26-4	1M3-84115-01-98	RIM, head lamp	1	x	x									Low Gloss Black	
	26-4	468-84120-40	LENS ASS'Y	1	x										
		127-84120-00	LENS ASS'Y	1			x								
	26-5	1M3-84194-01	RING, head lamp	1	x	x									
26-6	98501-04008	SCREW, panhead	4	x	x										
26-7	468-84114-40	BULB (6V-15W)	1	x											*
	127-84114-30	BULB (7V-18/18W)	1			x									*
26-8	468-84112-40	SOCKET CORD ASS'Y	1	x											
	241-84312-00	SOCKET CORD ASS'Y	1				x								
26-9	308-84135-21	SPRING, set	1	x	x										
26-10	92901-05600	WASHER, plate	2	x	x										
26-11	98501-05010	SCREW, panhead	2	x	x										
26-12	1M8-83510-10	SPEEDOMETER ASS'Y	1	x	x										Km/h
26-13	122-83516-10	BULB (6V-3W)	3	x	x										
26-14	1M3-83520-00	SOCKET CORD ASS'Y	1	x	x										
26-15	1M3-83513-00	DAMPER, speedometer	2	x	x										
26-16	1M3-83519-00-33	BRACKET, speedometer	1	x	x										
26-17	355-83526-00	DAMPER	2	x	x										
26-18	355-83522-00	COLLAR	2	x	x										
26-19	355-83524-00	WASHER, plate	2	x	x										



Fig. 26 HEAD LAMP · SPEEDOMETER



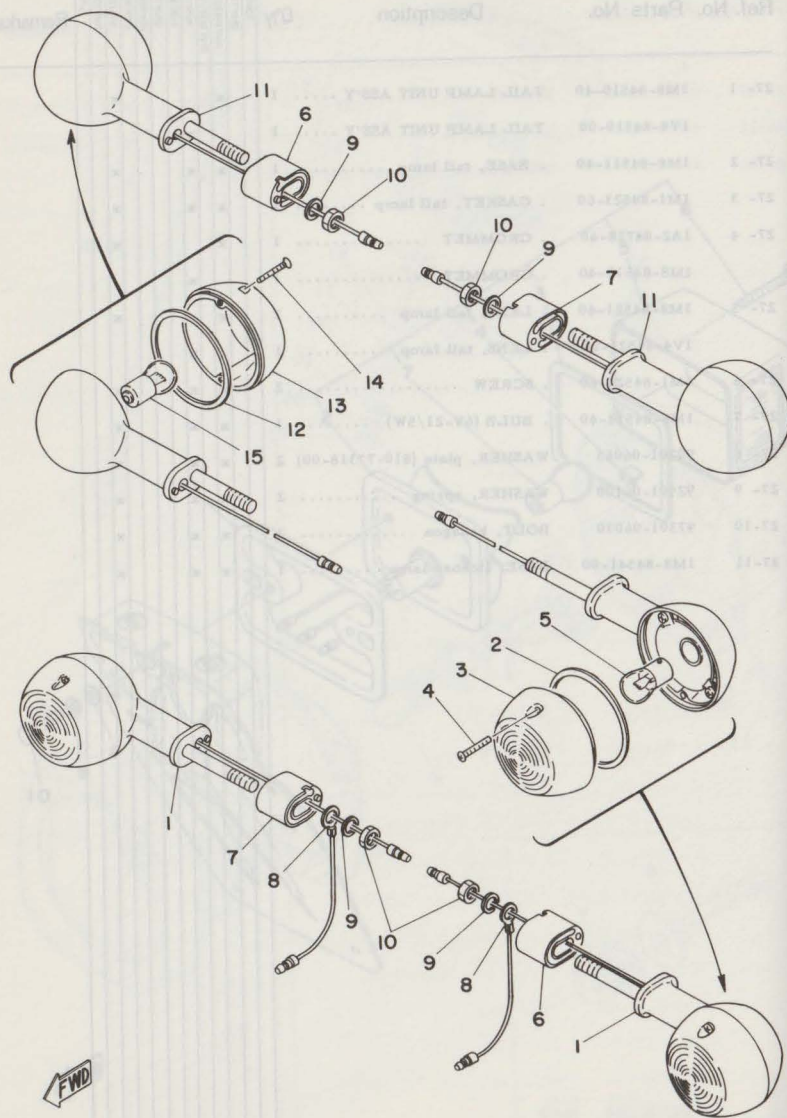
HEAD LAMP · SPEEDOMETER

Ref. No.	Parts No.	Description	Q'ty	ITALY	ENGLAND	AUSTRIA	NORWAY	DENMARK	FINLAND	SWEDEN	BELGIUM	SWITZERLAND	W. GERMANY	HOLLAND	FRANCE	Remarks
26-20	92901-06100	WASHER, spring .....	2	x	x											
26-21	95301-06600	NUT, hexagon .....	2	x	x											
26-22	439-83550-00	SPEEDOMETER CABLE ASS'Y	1	x	x											





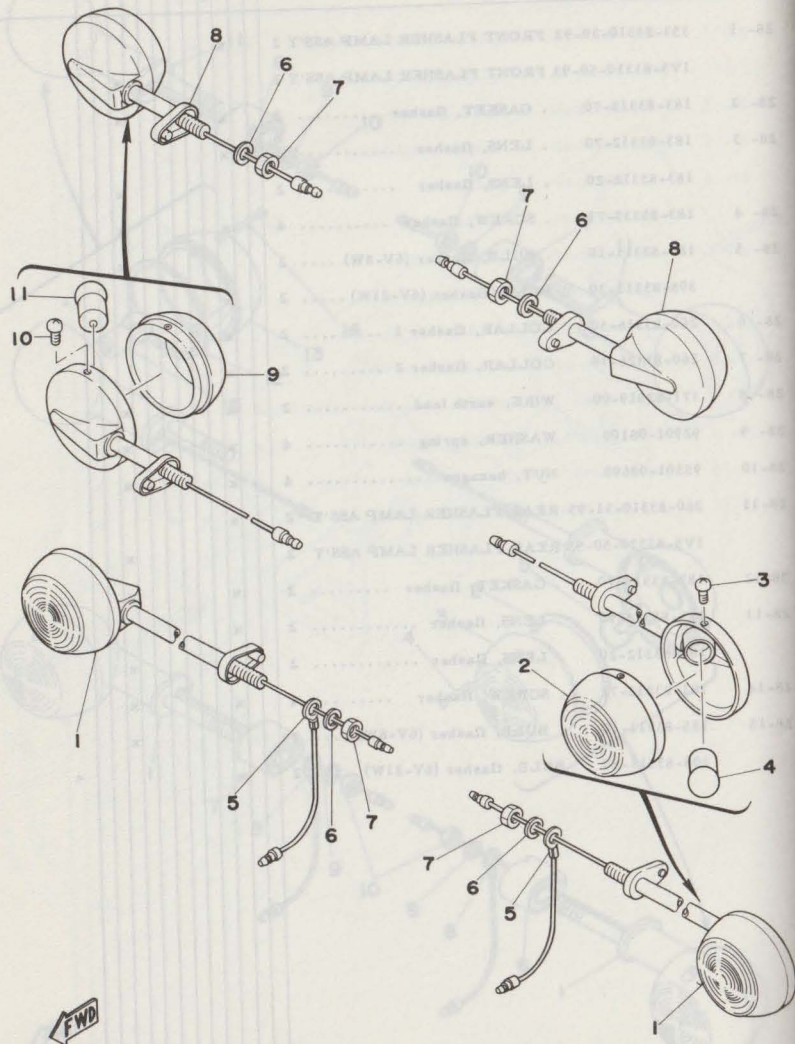
Fig. 28 FLASHER LAMP 1



FLASHER LAMP 1

Ref. No.	Parts No.	Description	Q'ty	HOLLAND	FRANCE	GERMANY	ITALY	ENGLAND	AUSTRIA	NORWAY	DENMARK	FINLAND	SWEDEN	BELGIUM	SWITZERLAND	REMARKS
28- 1	353-83310-30-93	FRONT FLASHER LAMP ASS'Y 2		x												
	1V5-83310-50-93	FRONT FLASHER LAMP ASS'Y 2							x							
28- 2	183-83313-70	. GASKET, flasher . . . . . 2		x				x								
28- 3	183-83312-70	. LENS, flasher . . . . . 2		x												
	183-83312-20	. LENS, flasher . . . . . 2									x					
28- 4	183-83333-71	. SCREW, flasher . . . . . 4		x				x								
28- 5	185-83311-10	. BULB, flasher (6V-8W) . . . . 2							x							
	308-83311-30	BULB, flasher (6V-21W) . . . . 2		x											*	
28- 6	260-83316-30	COLLAR, flasher 1 . . . . . 2		x												
28- 7	260-83326-30	COLLAR, flasher 2 . . . . . 2		x												
28- 8	371-82519-00	WIRE, earth lead . . . . . 2		x				x								
28- 9	92901-08100	WASHER, spring . . . . . 4		x				x								
28-10	95301-08600	NUT, hexagon . . . . . 4		x				x								
28-11	260-83310-31-93	REAR FLASHER LAMP ASS'Y 2		x												
	1V5-83330-50-93	REAR FLASHER LAMP ASS'Y 2							x							
28-12	183-83313-70	. GASKET, flasher . . . . . 2		x				x								
28-13	183-83312-70	. LENS, flasher . . . . . 2		x												
	183-83312-20	. LENS, flasher . . . . . 2									x					
28-14	183-83333-71	. SCREW, flasher . . . . . 4		x				x								
28-15	185-83311-10	. BULB, flasher (6V-8W) . . . . 2							x							
	308-83311-30	BULB, flasher (6V-21W) . . . . 2		x												*

Fig. 29 FLASHER LAMP 2

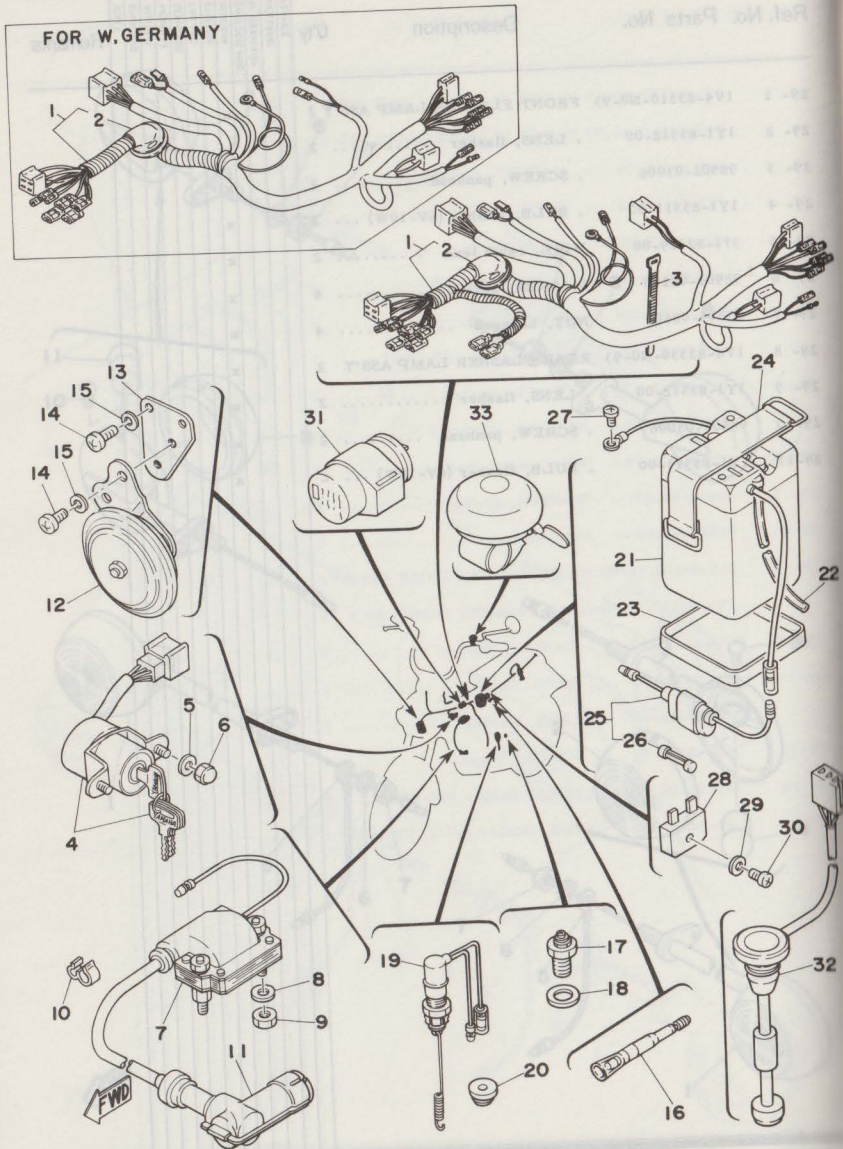


FLASHER LAMP 2

Ref. No.	Parts No.	Description	Q'ty												Remarks		
				FRANCE	HOLLAND	SWITZERLAND	SWEDEN	FINLAND	DENMARK	NORWAY	AUSTRIA	ENGLAND	ITALY				
29- 1	1V4-83310-N0-93	FRONT FLASHER LAMP ASS'Y	2									x					
29- 2	1Y1-83312-00	. LENS, flasher	2									x					
29- 3	98501-03006	. SCREW, panhead	2									x					
29- 4	1Y1-83311-00	. BULB, flasher (6V-10W)	2									x					
29- 5	371-82519-00	WIRE, earth lead	2									x					
29- 6	92901-08100	WASHER, spring	4									x					
29- 7	95301-08600	NUT, hexagon	4									x					
29- 8	1V4-83330-N0-93	REAR FLASHER LAMP ASS'Y	2									x					
29- 9	1Y1-83312-00	. LENS, flasher	2									x					
29-10	98501-03006	. SCREW, panhead	2									x					
29-11	1Y1-83311-00	. BULB, flasher (6V-10W)	2									x					



Fig. 30 ELECTRICAL

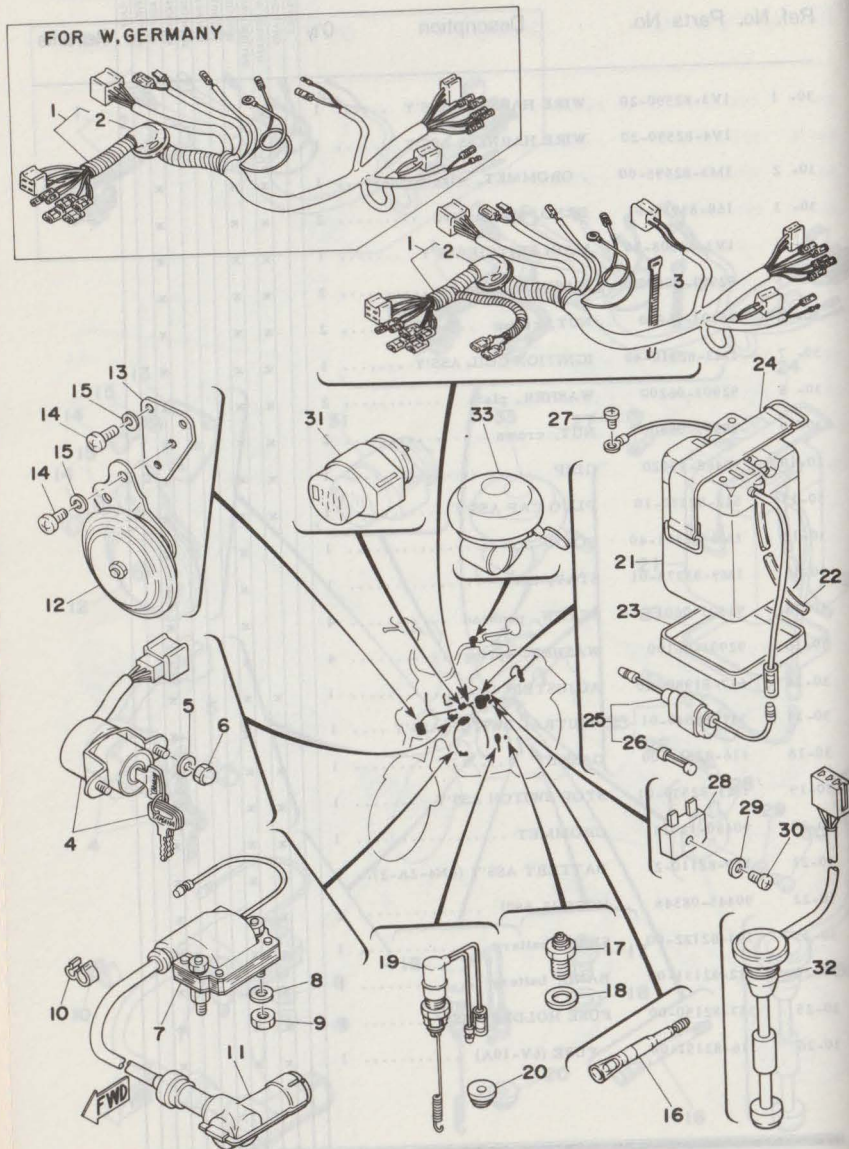


ELECTRICAL

Ref. No.	Parts No.	Description	Q'ty	FRANCE	HOLLAND	W. GERMANY	SWEDEN	FINLAND	DENMARK	NORWAY	AUSTRIA	ENGLAND	ITALY	Remarks
30- 1	1V3-82590-20	WIRE HARNESS ASS'Y . . . . .	1	x										
	1V4-82590-20	WIRE HARNESS ASS'Y . . . . .	1			x					x			
30- 2	1M3-82595-00	GROMMET, wire harness . . . . .	1	x	x						x			
30- 3	168-83936-01	BAND, switch cord . . . . .	2	x	x						x			
30- 4	1V3-82508-20	MAIN SWITCH ASS'Y . . . . .	1	x	x						x			
30- 5	92901-06600	WASHER, plate . . . . .	2	x	x						x			
30- 6	95303-06800	NUT, crown . . . . .	2	x	x						x			
30- 7	1M3-82310-40	IGNITION COIL ASS'Y . . . . .	1	x	x						x			
30- 8	92901-06200	WASHER, plain . . . . .	2	x	x						x			
30- 9	95303-06800	NUT, crown . . . . .	2	x	x						x			
30-10	90468-15020	CLIP . . . . .	1	x	x						x			
30-11	512-82370-10	PLUG CAP ASS'Y . . . . .	1	x	x						x			
30-12	1M8-83371-40	HORN . . . . .	1			x					x			
30-13	1M9-83378-01	STAY, horn . . . . .	1			x					x			
30-14	92501-06012	SCREW, panhead . . . . .	4			x					x			
30-15	92901-06100	WASHER, spring . . . . .	4			x					x			
30-16	517-81980-A0	ADJUSTER . . . . .	1	x	x						x			
30-17	341-82540-01	NEUTRAL SWITCH ASS'Y . . . . .	1	x	x						x			
30-18	116-82543-00	GASKET . . . . .	1	x	x						x			
30-19	1M3-82530-01	STOP SWITCH ASS'Y . . . . .	1	x	x						x			
30-20	90480-12013	GROMMET . . . . .	1	x	x						x			
30-21	120-82110-21	BATTERY ASS'Y (6N4-2A-2).. . . . .	1	x	x						x			
30-22	90445-08348	HOSE (5-580) . . . . .	1	x	x						x			
30-23	304-82122-00	SEAT, battery . . . . .	1	x	x						x			
30-24	122-82131-00	BAND, battery . . . . .	1	x	x						x			
30-25	353-82150-00	FUSE HOLDER ASS'Y . . . . .	1	x	x						x			
30-26	116-82151-00	FUSE (6V-10A) . . . . .	1	x	x						x			



Fig. 30 ELECTRICAL

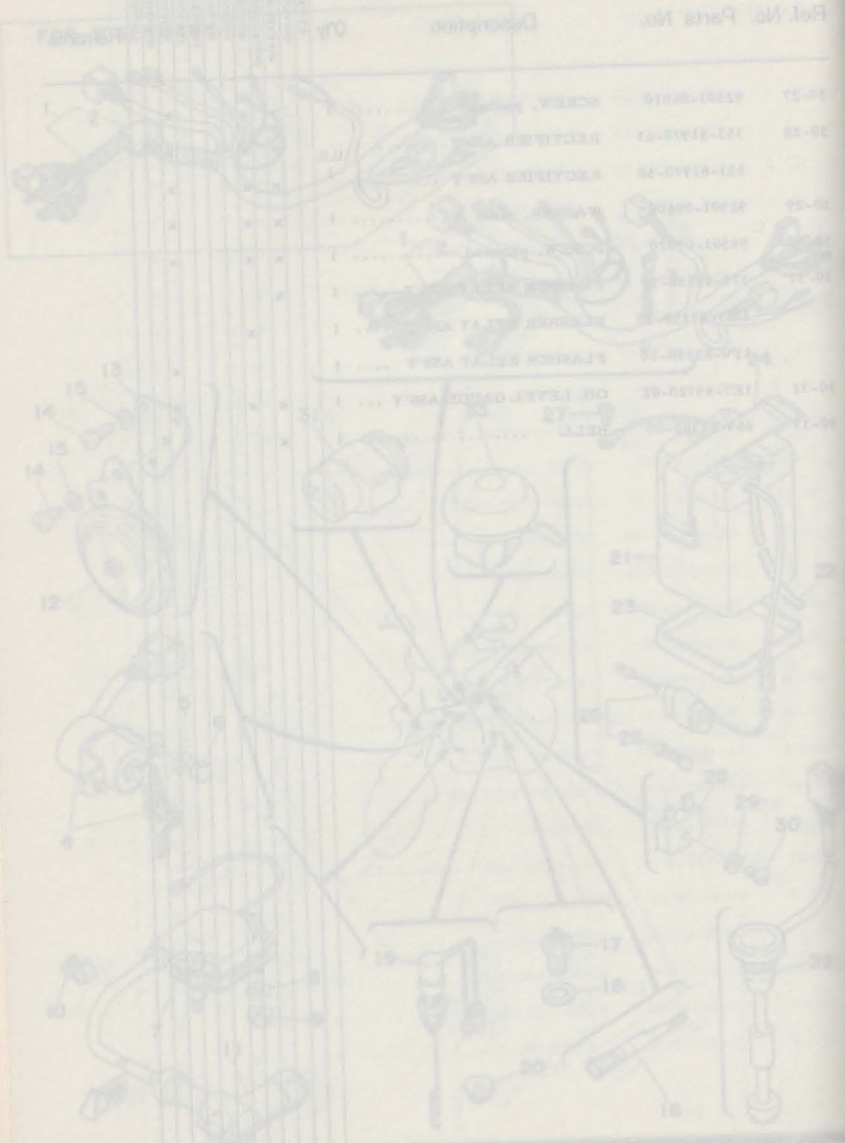


ELECTRICAL

Ref. No.	Parts No.	Description	Qty	FRANCE	HOLLAND	SWITZERLAND	W. GERMANY	FINLAND	DENMARK	NORWAY	AUSTRIA	ENGLAND	ITALY	Remarks
30-27	92501-06010	SCREW, panhead	1	x	x						x			
30-28	353-81970-63	RECTIFIER ASS'Y	1	x	x						x			U.R
	353-81970-50	RECTIFIER ASS'Y												
30-29	92901-05600	WASHER, plate	1	x	x						x			
30-30	98501-05020	SCREW, panhead	1	x	x						x			
30-31	375-83350-30	FLASHER RELAY ASS'Y	1	x										
	1M3-83350-10	FLASHER RELAY ASS'Y	1			x								
	1F0-83350-10	FLASHER RELAY ASS'Y	1								x			
30-32	1E7-85720-02	OIL LEVEL GAUGE ASS'Y	1	x	x						x			
30-33	469-83382-00	BELL	1	x										

YAMAHA PARTS





Part No.	Description	Qty	Remarks
21-10	CARTRIDGE, air cleaner	1	
21-11	CARTRIDGE, spark plug	1	
21-12	CARTRIDGE, spark plug	1	
21-13	CARTRIDGE, spark plug	1	
21-14	CARTRIDGE, spark plug	1	
21-15	CARTRIDGE, spark plug	1	
21-16	CARTRIDGE, spark plug	1	
21-17	CARTRIDGE, spark plug	1	
21-18	CARTRIDGE, spark plug	1	
21-19	CARTRIDGE, spark plug	1	
21-20	CARTRIDGE, spark plug	1	
21-21	CARTRIDGE, spark plug	1	
21-22	CARTRIDGE, spark plug	1	
21-23	CARTRIDGE, spark plug	1	
21-24	CARTRIDGE, spark plug	1	
21-25	CARTRIDGE, spark plug	1	
21-26	CARTRIDGE, spark plug	1	
21-27	CARTRIDGE, spark plug	1	
21-28	CARTRIDGE, spark plug	1	
21-29	CARTRIDGE, spark plug	1	
21-30	CARTRIDGE, spark plug	1	
21-31	CARTRIDGE, spark plug	1	
21-32	CARTRIDGE, spark plug	1	
21-33	CARTRIDGE, spark plug	1	
21-34	CARTRIDGE, spark plug	1	
21-35	CARTRIDGE, spark plug	1	
21-36	CARTRIDGE, spark plug	1	
21-37	CARTRIDGE, spark plug	1	
21-38	CARTRIDGE, spark plug	1	
21-39	CARTRIDGE, spark plug	1	
21-40	CARTRIDGE, spark plug	1	
21-41	CARTRIDGE, spark plug	1	
21-42	CARTRIDGE, spark plug	1	
21-43	CARTRIDGE, spark plug	1	
21-44	CARTRIDGE, spark plug	1	
21-45	CARTRIDGE, spark plug	1	
21-46	CARTRIDGE, spark plug	1	
21-47	CARTRIDGE, spark plug	1	
21-48	CARTRIDGE, spark plug	1	
21-49	CARTRIDGE, spark plug	1	
21-50	CARTRIDGE, spark plug	1	
21-51	CARTRIDGE, spark plug	1	
21-52	CARTRIDGE, spark plug	1	
21-53	CARTRIDGE, spark plug	1	
21-54	CARTRIDGE, spark plug	1	
21-55	CARTRIDGE, spark plug	1	
21-56	CARTRIDGE, spark plug	1	
21-57	CARTRIDGE, spark plug	1	
21-58	CARTRIDGE, spark plug	1	
21-59	CARTRIDGE, spark plug	1	
21-60	CARTRIDGE, spark plug	1	
21-61	CARTRIDGE, spark plug	1	
21-62	CARTRIDGE, spark plug	1	
21-63	CARTRIDGE, spark plug	1	
21-64	CARTRIDGE, spark plug	1	
21-65	CARTRIDGE, spark plug	1	
21-66	CARTRIDGE, spark plug	1	
21-67	CARTRIDGE, spark plug	1	
21-68	CARTRIDGE, spark plug	1	
21-69	CARTRIDGE, spark plug	1	
21-70	CARTRIDGE, spark plug	1	
21-71	CARTRIDGE, spark plug	1	
21-72	CARTRIDGE, spark plug	1	
21-73	CARTRIDGE, spark plug	1	
21-74	CARTRIDGE, spark plug	1	
21-75	CARTRIDGE, spark plug	1	
21-76	CARTRIDGE, spark plug	1	
21-77	CARTRIDGE, spark plug	1	
21-78	CARTRIDGE, spark plug	1	
21-79	CARTRIDGE, spark plug	1	
21-80	CARTRIDGE, spark plug	1	
21-81	CARTRIDGE, spark plug	1	
21-82	CARTRIDGE, spark plug	1	
21-83	CARTRIDGE, spark plug	1	
21-84	CARTRIDGE, spark plug	1	
21-85	CARTRIDGE, spark plug	1	
21-86	CARTRIDGE, spark plug	1	
21-87	CARTRIDGE, spark plug	1	
21-88	CARTRIDGE, spark plug	1	
21-89	CARTRIDGE, spark plug	1	
21-90	CARTRIDGE, spark plug	1	
21-91	CARTRIDGE, spark plug	1	
21-92	CARTRIDGE, spark plug	1	
21-93	CARTRIDGE, spark plug	1	
21-94	CARTRIDGE, spark plug	1	
21-95	CARTRIDGE, spark plug	1	
21-96	CARTRIDGE, spark plug	1	
21-97	CARTRIDGE, spark plug	1	
21-98	CARTRIDGE, spark plug	1	
21-99	CARTRIDGE, spark plug	1	
21-100	CARTRIDGE, spark plug	1	



Fig. 31 REPAIR KIT

Ref. No.	Parts No.	Description	Q'ty	Applicable Machine No.	Remarks		
31- 1	439-11630-01	PISTON ASS'Y (STD)	1s				
	439-11630-11	PISTON ASS'Y (1st O.S)	1s				
	439-11630-21	PISTON ASS'Y (2nd O.S)	1s				
	439-11630-31	PISTON ASS'Y (3rd O.S)	1s				
	439-11630-41	PISTON ASS'Y (4th O.S)	1s				
31- 2	353-11631-31-96	. PISTON (39.96mm STD)	1	U.R	}		
	353-11631-31-98	. PISTON (39.98mm STD)					
	353-11635-31	. PISTON (40.25mm 1st O.S)					Ref. No. 3-8
	353-11636-31	. PISTON (40.50mm 2nd O.S)					
	353-11637-31	. PISTON (40.75mm 3rd O.S)					
	353-11638-31	. PISTON (41.00mm 4th O.S)					
31- 3	517-11633-00	. PIN, piston	1		3-9		
31- 4	93450-13022	. CLIP, piston (132-11634-00)	2		3-10		
31- 5	260-11601-01	. PISTON RING SET (STD)	1s	}	3-11		
	260-11601-11	. PISTON RING SET (1st O.S)	1s				
	260-11601-21	. PISTON RING SET (2nd O.S)	1s				
	260-11601-31	. PISTON RING SET (3rd O.S)	1s				
	260-11601-41	. PISTON RING SET (4th O.S)	1s				
31- 6	517-11650-00	CONNECTING ROD ASS'Y	1s				
31- 7	517-11651-00	. ROD, connecting	1		3-4		
31- 8	93310-41810	. BEARING, big end	1		3-5		
31- 9	257-11681-00	. PIN, crank	1		3-6		
31-10	93310-11268	. BEARING, small end	1		3-7		
31-11	1V3-W0001-00	GASKET KIT	1s				
31-12	439-11351-00	. GASKET, cylinder	1		1-10		
31-13	517-11181-00	. GASKET, cylinder head	1		1-12		
31-14	90430-12038	. GASKET (132-15353-00)	1		1-17		
31-15	517-15451-00	. GASKET, crankcase cover	1		2-9		
31-16	1M3-14416-01	. GASKET, air cleaner	1		9-3		

REPAIR KIT

Ref. No.	Parts No.	Description	Q'ty	Applicable Machine No.	Remarks
31-17	90430-06075	. GASKET	1		Ref. No. 9-6
31-18	127-14184-00	. GASKET, float chamber	1		10-9
31-19	132-14613-00	. GASKET, exhaust	1		11-3
31-20	1J5-14714-00	. GASKET, muffler joint	1		11-5
31-21	90430-04004	. GASKET	1		12-8
31-22	1F5-13621-00	. PACKING, valve seat 1	2		9-19
31-23	93210-21190	. O-RING (2.6-20.6)	1		2-14
31-24	93210-18023	. O-RING (1.2-17.6)	1		3-20
31-25	93210-08006	. O-RING (1.9-7.8)	1		6-18
31-26	93210-26240	. O-RING (2.4-25.8)	1		12-2
31-27	1V3-W0003-00	OIL SEAL KIT	1s		
31-28	93102-20009	. OIL SEAL (SD-20-35-7)	1		3-13
31-29	93103-28011	. OIL SEAL (SW-28-40-8)	1		3-18
31-30	93102-20143	. OIL SEAL (SD-20-38-5)	1		5-16
31-31	93104-11053	. OIL SEAL (SO-11-20-9)	1		5-19
31-32	93101-12004	. OIL SEAL (S-12-22-5)	1		7-4
31-33	93109-15001	. OIL SEAL (SDO-15-26-6)	1		8-10
31-34	93101-10001	. OIL SEAL (S-10-21-5)	1		12-3







# NUMERICAL INDEX



## NUMERICAL INDEX

Ref No.	Parts No.	Ref No.	Parts No.	Ref No.	Parts No.
27- 4	1A2-84718-40	15- 6	1M3-22210-00	20-20	1M3-26341-01
30-32	1E7-85720-02	15-11	1M3-22311-01-98	16- 7	1M3-27114-01
30-31	1F0-83350-10	18- 1	1M3-23101-00	16- 4	1M3-27211-02-91
31-22	1F5-13621-00	18-22	1M3-23121-00-E1	14-19	1M3-28100-10
14-22	1G1-23408-10	18-22	1M3-23121-00-L3	17- 4	1M3-28189-00
17- 8	1G4-85132-00	18-22	1M3-23121-00-Y7	14- 9	1M3-28385-00
23-27	1G7-24164-00	18-22	1M3-23121-00-98	30- 7	1M3-28310-40
11- 5	1J5-14714-00	18- 8	1M3-23124-00	14-18	1M3-82519-01
31-20	1J5-14714-00	18-23	1M3-23131-00-E1	30-19	1M3-82530-01
1- 2	1L6-15121-02	18-23	1M3-23131-00-L3	30- 2	1M3-82595-00
2- 1	1L6-15411-00	18-23	1M3-23131-00-Y7	20- 4	1M3-82920-90
4- 1	1L6-16301-01	18-23	1M3-23131-00-98	30-31	1M3-83350-10
2-12	1L7-15363-00	18- 9	1M3-23134-00	26-15	1M3-83513-00
2-13	1L7-15378-00	19-18	1M3-23408-01	26-16	1M3-83519-00-33
8-11	1L7-15610-00-91	21- 1	1M3-24110-00	26-14	1M3-83520-00
10-25	1M1-14169-00	21-30	1M3-24198-00	26- 1	1M3-84111-02-E1
27- 3	1M1-84523-60	14-15	1M3-24255-00	26- 1	1M3-84111-02-L3
27- 6	1M1-84524-60	14-17	1M3-24257-00	26- 1	1M3-84111-02-Y7
10-37	1M2-14196-00	21-27	1M3-24335-00	26- 1	1M3-84111-02-98
12- 1	1M3-13101-01	21-14	1M3-24500-00	26- 3	1M3-84115-01-E1
9- 5	1M3-14412-00	21-18	1M3-24523-00	26- 3	1M3-84115-01-L3
9- 3	1M3-14416-01	21-24	1M3-24524-00	26- 3	1M3-84115-01-Y7
31-16	1M3-14416-01	23-12	1M3-24705-00	26- 3	1M3-84115-01-98
9- 4	1M3-14451-00	23- 3	1M3-24726-01	26- 2	1M3-84145-01
9- 8	1M3-14454-02	23- 8	1M3-24728-00	26- 5	1M3-84194-01
11- 7	1M3-14753-01	23-23	1M3-24810-02	15- 1	1M4-22110-01-33
1- 8	1M3-15316-00	24-19	1M3-25135-01	9-21	1M8-14247-00
2-15	1M3-15492-01	24-28	1M3-25138-01	9-26	1M8-14248-00
23-16	1M3-21219-01	25-18	1M3-35321-00	9-22	1M8-14291-01
23-20	1M3-21349-00	24- 2	1M3-25337-10-35	9-27	1M8-14292-00
14- 6	1M3-21393-03	25- 2	1M3-25337-10-35	14- 1	1M8-21110-02-E1
11-10	1M3-21445-01	24- 3	1M3-25347-10-35	14- 1	1M8-21110-02-L3
17- 1	1M3-21511-00-E1	25- 3	1M3-25347-10-35	14- 1	1M8-21110-02-Y7
17- 1	1M3-21511-00-L3	25-22	1M3-25355-01	14- 1	1M8-21110-02-98
17- 1	1M3-21511-00-Y7	20- 1	1M3-26111-01	14-14	1M8-24254-00
17- 1	1M3-21511-00-98	20-12	1M3-26311-00	14-16	1M8-24256-00
22- 7	1M3-21745-01	20-18	1M3-26321-00	23-23	1M8-24810-01
22- 1	1M3-21751-01			16- 1	1M8-27111-02-33
22- 8	1M3-21759-00			30-12	1M8-83371-40



## NUMERICAL INDEX

Ref. No.	Parts No.	Ref. No.	Parts No.	Ref. No.	Parts No.
26-12	1M8-83510-10	23- 2	1V3-24731-00	29- 4	1Y1-83311-00
27- 1	1M8-84510-40	23-23	1V3-24810-00	29-11	1Y1-83311-00
27- 2	1M8-84511-40	20-19	1V3-26312-00	29- 2	1Y1-83312-00
27- 7	1M8-84514-40	13- 1	1V3-81300-10	29- 9	1Y1-83312-00
27- 4	1M8-84518-40	13- 6	1V3-81313-10	10-13	102-14122-00
27- 5	1M8-84521-40	30- 4	1V3-82508-20	10-10	102-14181-00
27-11	1M8-84541-00	30- 1	1V3-82590-20	15- 2	102-22123-00
23- 1	1M9-24730-00	20- 3	1V3-83976-00	24-32	102-25137-00
23- 2	1M9-24731-00	17- 4	1V4-28189-00	25-30	102-25389-00
16-14	1M9-27411-00	30- 1	1V4-82590-20	25-26	102-25412-00
30-13	1M9-83378-01	29- 1	1V4-83310-N0-93	18-10	109-23125-00
10-28	1R0-14169-00	29- 8	1V4-83330-N0-93	18-12	109-23145-01
21-29	1T8-24549-00	27- 1	1V4-84510-00	24-30	109-25136-00
31-11	1V3-W0001-00	27- 5	1V4-84521-00	25-11	109-25315-00
31-27	1V3-W0003-00	10- 1	1V5-14101-00	13-13	109-81328-11
10- 1	1V3-14101-00	11- 6	1V5-14710-00	13-14	110-81345-21
10-16	1V3-14112-25	14- 1	1V5-21110-00-E1	13- 9	110-81346-21
10-22	1V3-14126-00	14- 1	1V5-21110-00-L3	13-12	110-81347-21
10-21	1V3-14155-00	14- 1	1V5-21110-00-Y7	13- 7	110-81348-21
10-23	1V3-14158-00	14- 1	1V5-21110-00-98	4-11	116-16521-00
9-28	1V3-14163-00	14- 1	1V5-21110-00-98	30-26	116-82151-00
10-31	1V3-14175-00	28- 1	1V5-83310-50-93	30-18	116-82543-00
10-38	1V3-14196-00	28-11	1V5-83330-50-93	15-13	120-27431-00
9- 1	1V3-14411-00	20- 3	1V5-83975-00	15-14	120-27433-00
9-11	1V3-14453-00	8- 2	1W7-15641-00	30-21	120-82110-21
11- 1	1V3-14611-00	8- 1	1W7-15660-00	11- 2	122-14612-02
11- 6	1V3-14710-00	8- 6	1W7-15664-00	8-12	122-15612-02
11- 4	1V3-14713-00	8- 8	1W7-15676-00	4-22	122-16164-00
1- 1	1V3-15111-00	8- 5	1W7-15687-00	18-17	122-23112-00
14- 1	1V3-21110-00-E1	5-12	1W7-17211-01	18-14	122-23163-00
14- 1	1V3-21110-00-L3	5- 8	1W7-17221-01	18-20	122-23346-01
14- 1	1V3-21110-00-Y7	5- 9	1W7-17231-01	19- 6	122-23411-00
14- 1	1V3-21110-00-98	5- 1	1W7-17410-00	19- 4	122-23412-00
18- 1	1V3-23101-30	5- 6	1W7-17421-00	19- 7	122-23416-00
14-14	1V3-24254-00	6- 8	1W7-18511-01	19-13	122-23441-00
14-15	1V3-24255-00	6-20	1W7-18512-01	19-12	122-23442-02
14-16	1V3-24256-00	6- 1	1W7-18541-01	25-25	122-25436-40
14-17	1V3-24257-00	20-25	1Y0-26290-10	25-25	122-25442-40
23- 1	1V3-24730-00	20-25	1Y0-26290-50	30-24	122-82131-00

## NUMERICAL INDEX

Ref. No.	Parts No.	Ref. No.	Parts No.	Ref. No.	Parts No.
26-13	122-83516-10	28- 3	183-83312-70	18- 6	290-23149-00
10-14	127-14123-00	28-13	183-83312-70	18-11	290-23150-01
10-35	127-14125-01	28- 2	183-83313-70	12- 4	296-13124-00
10-19	127-14131-00	28-12	183-83313-70	12- 9	296-13147-00
10-15	127-14134-00	28- 4	183-83333-71	10-36	296-14169-00
10-18	127-14137-00	28-14	183-83333-71	1-18	296-15128-00
10- 2	127-14141-16	28- 5	185-83311-10	1- 7	296-15316-00
10- 3	127-14143-20	28-15	185-83311-10	5- 3	296-17471-00
10- 3	127-14143-21	10-26	187-14161-00	6-12	296-18140-02
10- 3	127-14143-22	10- 4	193-14142-15	6- 5	296-18561-00
10- 3	127-14143-23	24-11	195-25115-00	6-10	296-18562-01
10- 3	127-14143-24	18- 4	207-23147-00	6-16	296-18566-00
10- 9	127-14184-00	13- 8	207-81321-10	22- 2	296-21771-62
31-18	127-14184-00	13-10	207-81326-10	22- 3	296-21772-00
10- 7	127-14185-00	13-11	207-81331-10	21- 2	296-24610-00
10- 8	127-14186-00	26- 8	241-84312-00	21- 3	296-24612-00
10- 6	127-14195-00	3- 6	257-11681-00	24-21	296-25330-00
26- 7	127-84114-30	31- 9	257-11681-00	25-20	296-25330-00
26- 4	127-84120-00	2- 7	257-15417-01	13- 2	296-81309-10
10-30	132-14135-00	3-11	260-11601-01	13- 4	296-81312-10
10-29	132-14171-00	31- 5	260-11601-01	13- 5	296-81332-10
10-32	132-14179-00	3-11	260-11601-11	23- 3	296-81350-10
11- 3	132-14613-00	31- 5	260-11601-11	25-15	304-25364-00
31-19	132-14613-00	31- 5	260-11601-21	30-23	304-82122-00
6-15	132-16346-00	31- 5	260-11601-21	18-16	307-23114-00
7- 9	132-18113-01	3-11	260-11601-31	28- 5	308-83311-30
20-14	132-26261-01	31- 5	260-11601-31	28-15	308-83311-30
8-16	156-15618-01	3-11	260-11601-41	26- 9	308-84135-21
19- 1	156-23411-00	31- 5	260-11601-41	9-15	314-13613-00
19- 3	156-23412-00	18-21	260-23318-40	9-16	314-13616-01
2- 5	164-15415-00	28-11	260-83310-31-93	16- 2	336-27112-00
20-23	168-83936-01	28- 6	260-83316-30	10-20	341-14952-00
30- 3	168-83936-01	28- 7	260-83326-30	30-17	341-82540-01
14-21	174-24741-00	21-15	266-24522-00	3- 8	353-11631-31-96
23-15	174-24741-00	21-17	266-24523-00	31- 2	353-11631-31-98
24-18	183-25149-00	7- 7	278-18127-00	3- 8	353-11635-31
28- 3	183-83312-20	14-20	288-21376-00	31- 2	353-11635-31
28-13	183-83312-20	16- 8	288-27231-00	3- 8	353-11636-31
		18-13	290-23144-00		



# NUMERICAL INDEX

Ref No.	Parts No.	Ref No.	Parts No.	Ref No.	Parts No.
31- 2	353-11636-31	1-13	439-11111-00	3- 9	517-11633-00
3- 8	353-11637-31	1-11	439-11311-00	31- 3	517-11633-00
31- 2	353-11637-31	1-10	439-11351-00	31- 6	517-11650-00
3- 8	353-11638-31	31-12	439-11351-00	3- 4	517-11651-00
31- 2	353-11638-31	31- 1	439-11630-01	31- 7	517-11651-00
9-14	353-82160-01	31- 1	439-11630-11	3-21	517-13178-01
9-19	353-13621-00	31- 1	439-11630-21	2- 8	517-15421-01
10-17	353-14116-02	31- 1	439-11630-31	2- 9	517-15451-00
10- 5	353-14190-12	31- 1	439-11630-41	31-15	517-15451-00
15- 3	353-22141-01	12-15	439-15416-02	4- 2	517-16150-10-20
30-28	353-81970-50	12-18	439-15426-02	4- 2	517-16150-10-30
30-28	353-81970-63	18- 2	439-23126-00-35	4- 2	517-16150-10-40
30-25	353-82150-00	18- 3	439-23136-00-35	4- 7	517-16180-00
28- 1	353-83310-30-93	18-19	439-23340-02-33	4- 9	517-16523-10
18-15	354-23115-90	19- 9	439-23435-02-35	4-12	517-16524-10
26-18	355-83522-00	21-10	439-24181-00	4-12	517-16524-20
26-19	355-83524-00	21-19	439-24525-00	4-12	517-16524-30
26-17	255-83526-00	24- 1	439-25111-01	4-13	517-16551-91
18- 5	367-23141-60	24-34	439-25181-01	4-15	517-16561-01
18- 7	367-23166-60	25-29	439-25381-01	4-17	517-16571-01
28- 8	371-82519-00	26-22	439-83550-00	5-15	517-17461-21
29- 5	371-82519-00	7- 8	441-18111-01-91	5-15	517-17461-31
30-31	375-83350-30	6-17	441-18531-01	5-15	517-17461-41
12-10	384-13138-00	16-15	441-27413-01	7- 1	517-18101-01
12-22	384-13174-00	17-13	449-85131-01	30-16	517-81980-A0
4- 8	384-15635-00	23-24	449-85131-01	24-20	538-25121-00
4- 6	384-15637-02	26- 8	468-84112-40	24-24	538-25155-00
15- 5	395-22151-00	26- 7	468-84114-40	24-22	538-25351-01
18-18	395-23111-00	26- 4	468-84120-40	25-19	538-25351-01
21-16	395-24521-00	30-33	469-83382-00	9-13	550-13565-02
20- 2	395-26241-00	25-49	478-25188-00	11- 1	551-14611-01
20-11	395-26242-00	24-37	478-25335-00	18-19	551-23340-31-33
20-10	395-26243-00	10-24	509-14198-00	22- 6	561-24119-00
20- 7	395-83913-00	30-11	512-82370-10	22- 9	561-24723-01
20- 5	395-83922-02	1-12	517-11181-00	25- 1	561-25311-00
20- 3	395-83973-01	31-13	517-11181-00	25-16	561-25366-00
20- 9	395-83980-00	3- 1	517-11400-02	25-37	561-25367-00
3-22	401-16111-00-30	3- 2	517-11412-03	25-42	561-25371-00
10-27	432-14124-00	3- 3	517-11422-01	10-34	802-14173-00

# NUMERICAL INDEX

Ref No.	Parts No.	Ref No.	Parts No.	Ref No.	Parts No.
10-33	802-14174-00	15-15	90201-20279	14-10	90480-01141
24-25	90101-06278	21- 6	90202-14077	9- 9	90480-01200
25-23	90101-06278	3-23	90208-12015	9-25	90480-01200
24- 4	90101-08249	4-19	90208-16019	12-24	90480-11057
25- 4	90101-08249	19-10	90209-10021	30-20	90480-12013
14- 3	90101-08285	8-14	90209-10108	21- 5	90480-14088
16-16	90101-08287	15-16	90240-06009	13-15	90480-16110
19-11	90105-10006	6- 2	90249-04039	12-23	90480-16179
6-13	90109-06001	16-12	90249-12008	4-10	90501-09461
25-27	90109-08057	3-17	90280-03017	16-11	90501-10245
25-43	90109-08183	3-26	90282-05005	4-14	90501-12369
25-48	90109-08368	18-24	90338-04010	8-13	90504-18005
11-13	90109-08469	20-24	90338-07011	7- 2	90506-08122
1- 9	90116-06026	1-16	90340-12005	6-14	90506-09126
9- 2	90116-06233	21- 4	90387-07390	24-23	90506-16034
20-21	90123-06011	24-33	90387-10081	25-21	90506-16034
25-28	90170-08157	25-35	90387-12096	16- 6	90506-28100
20-13	90170-10038	25-34	90387-12412	8- 7	90508-26136
12-11	90170-10105	3-19	90387-20163	16- 3	90508-32056
3-16	90170-12175	12-12	90401-10029	7- 3	90508-32263
24-35	90171-10004	12- 8	90430-04004	24-12	90560-10104
24-35	90171-10014	31-21	90430-04004	25-12	90560-12110
25-36	90171-12005	9- 6	90430-06075	4-21	90560-17146
25-36	90171-12015	31-17	90430-06075	15-17	91401-16015
20-22	90179-06143	1-17	90430-12038	16-10	91401-20012
16-13	90179-06176	31-14	90430-12038	25-46	91401-20012
3-24	90179-12044	12-21	90445-05206	24-36	91401-20020
4-20	90179-16190	30-22	90445-08348	25-39	91401-30022
19- 8	90179-25051	21-26	90445-09070	23- 6	91502-05105
27- 8	90201-06063	21-25	90445-09085	2- 2	91830-21014
7- 2	90201-06067	22- 4	90445-09271	1- 3	91830-22016
21- 7	90201-06074	9-10	90460-33087	30-27	92501-06010
24-27	90201-07076	21-28	90467-08003	5- 4	92501-06012
15- 8	90201-10140	22- 5	90467-08003	14- 8	92501-06012
15- 7	90201-12190	9-12	90467-20023	17- 9	92501-06012
3-14	90201-12535	12-20	90468-02033	20-15	92501-06012
7- 5	90201-12575	23- 7	90468-10050	23-14	92501-06012
8- 3	90201-20266	25-47	90468-12007	30-14	92501-06012
24-17	90201-20269	30-10	90468-15020	6-11	92501-06015



# NUMERICAL INDEX

Ref No.	Parts No.	Ref No.	Parts No.	Ref No.	Parts No.
12-16	92501-06015	27- 9	92901-06100	31-30	93102-20143
12-19	92501-06015	30-15	92901-06100	3-18	93103-28011
17- 3	92501-06015	1-14	92901-06200	31-29	93103-28011
21-23	92501-06015	30- 8	92901-06200	24-31	93104-07003
14-13	92501-06018	14-11	92901-06600	5-17	93104-11053
9-20	92501-06025	16- 9	92901-06600	31-31	93104-11053
1- 6	92501-06035	17- 5	92901-06600	25-14	93104-21016
2-10	92501-06035	17-10	92901-06600	24-15	93105-47007
2-11	92501-06040	19-16	92901-06600	24-14	93106-20001
1- 5	92501-06045	20-17	92901-06600	25-17	93106-20002
2- 4	92501-06045	21-11	92901-06600	8-10	93109-15001
1- 4	92501-06050	21-21	92901-06600	31-33	93109-15001
2- 3	92501-06100	23- 9	92901-06600	6-18	93210-08006
1-19	92501-08010	23-17	92901-06600	31-25	93210-08006
17- 7	92506-06018	25-31	92901-06600	24-29	93210-14104
12-17	92701-06012	30- 5	92901-06600	3-20	93210-18023
19-19	92701-06015	11-12	92901-08100	31-24	93210-18023
9-17	92901-03100	11-14	92901-08100	2-14	93210-21190
10-12	92901-04100	14- 4	92901-08100	31-23	93210-21190
17-14	92901-05100	14- 4	92901-08100	12- 2	93210-26240
23-25	92901-05100	16-17	92901-08100	31-26	93210-26240
9-24	92901-05600	23-21	92901-08100	4- 4	93210-98202
11- 8	92901-05600	24- 5	92901-08100	5- 2	93306-20309
26-10	92901-05600	25- 5	92901-08100	5- 7	93306-20401
30-29	92901-05600	25-44	92901-08100	3-12	93306-20418
14- 7	92901-06100	28- 9	92901-08100	24-13	93306-30003
14-12	92901-06100	29- 6	92901-08100	25-13	93306-30103
17- 6	92901-06100	11-11	92901-08600	3- 7	93310-11268
17-11	92901-06100	24- 8	92901-08600	31-10	93310-11268
20-16	92901-06100	25- 8	92901-08600	3- 5	93310-41810
21- 8	92901-06100	19-14	92901-10100	31- 8	93310-41810
21-12	92901-06100	3-15	92901-12100	6- 7	93315-23208
21-22	92901-06100	12- 3	93101-10001	5- 5	93320-41202
23- 4	92901-06100	31-34	93101-10001	8- 9	93410-15005
23-10	92901-06100	7- 4	93101-12004	8- 4	93410-20009
23-13	92901-06100	31-32	93101-12004	24-16	93410-20009
23-18	92901-06100	3-13	93102-20009	25-38	93410-47030
25-32	92901-06100	31-28	93102-20009	4- 3	93420-61041
26-20	92901-06100	5-14	93102-20143	4-16	93430-03013

# NUMERICAL INDEX

Ref No.	Parts No.	Ref No.	Parts No.	Ref No.	Parts No.
6- 3	93430-03014	9- 7	95301-06700	11- 9	98501-05010
12- 5	93430-07012	17-12	95301-06700	26-11	98501-05010
6- 6	93430-09019	24- 6	95301-08600	12-13	98501-05020
6-19	93430-10016	25- 6	95301-08600	30-30	98501-05020
7- 6	93430-10016	28-10	95301-08600	20- 6	98501-05025
16- 5	93430-12008	29- 7	95301-08600	12-14	98501-05035
8-15	93440-10028	25-45	95301-08700	9-18	98512-03008
5-13	93440-15012	15-10	95301-10600	13-16	98701-05015
5-16	93440-20043	19-15	95301-10600	12- 7	98901-04008
3-10	93450-13022	15- 9	95301-10800		
31- 4	93450-13022	30- 6	95303-06800		
5-11	93450-28049	30- 9	95303-06800		
4-18	93451-11037	24-26	95601-06100		
19- 2	93501-04011	25-24	95601-06100		
19- 5	93503-16010	15- 4	95601-10100		
4- 5	93505-08030	14- 5	95701-08100		
5-10	93509-32012	14- 2	95821-08120		
3-25	93603-08072	23- 5	97301-06014		
12- 6	93603-14026	21-13	97301-06016		
6- 4	93604-22050	23-19	97301-06016		
6- 9	93606-14081	21- 9	97301-06025		
24- 9	94140-10212	27-10	97301-06030		
25- 9	94140-10212	11-13	97301-08016		
24- 9	94140-10235	11-15	97301-08016		
24-10	94240-10073	23-22	97301-08018		
25-10	94240-10073	23-22	97301-08020		
25-40	94504-20090	8-17	97311-06025		
25-40	94504-20094	19-17	97314-06035		
25-41	94604-20001	7-10	97321-06020		
1-20	94701-00108	24- 7	97321-08016		
17-15	95301-05600	25- 7	97321-08016		
20- 8	95301-05600	21-20	98501-03006		
23-26	95301-05600	29- 3	98501-03006		
1-15	95301-06600	29-10	98501-03006		
23-11	95301-06600	2- 6	98501-04006		
24-26	95301-06600	26- 6	98501-04008		
25-24	95301-06600	10-11	98501-04018		
25-33	95301-06600	15-12	98501-05008		
26-21	95301-06600	9-23	98501-05010		

NUMERICAL INDEX  
XENON LAMP

Part No.	Part No.	Part No.	Part No.
1-21	1-21	1-21	1-21
1-22	1-22	1-22	1-22
1-23	1-23	1-23	1-23
1-24	1-24	1-24	1-24
1-25	1-25	1-25	1-25
1-26	1-26	1-26	1-26
1-27	1-27	1-27	1-27
1-28	1-28	1-28	1-28
1-29	1-29	1-29	1-29
1-30	1-30	1-30	1-30
1-31	1-31	1-31	1-31
1-32	1-32	1-32	1-32
1-33	1-33	1-33	1-33
1-34	1-34	1-34	1-34
1-35	1-35	1-35	1-35
1-36	1-36	1-36	1-36
1-37	1-37	1-37	1-37
1-38	1-38	1-38	1-38
1-39	1-39	1-39	1-39
1-40	1-40	1-40	1-40
1-41	1-41	1-41	1-41
1-42	1-42	1-42	1-42
1-43	1-43	1-43	1-43
1-44	1-44	1-44	1-44
1-45	1-45	1-45	1-45
1-46	1-46	1-46	1-46
1-47	1-47	1-47	1-47
1-48	1-48	1-48	1-48
1-49	1-49	1-49	1-49
1-50	1-50	1-50	1-50
1-51	1-51	1-51	1-51
1-52	1-52	1-52	1-52
1-53	1-53	1-53	1-53
1-54	1-54	1-54	1-54
1-55	1-55	1-55	1-55
1-56	1-56	1-56	1-56
1-57	1-57	1-57	1-57
1-58	1-58	1-58	1-58
1-59	1-59	1-59	1-59
1-60	1-60	1-60	1-60
1-61	1-61	1-61	1-61
1-62	1-62	1-62	1-62
1-63	1-63	1-63	1-63
1-64	1-64	1-64	1-64
1-65	1-65	1-65	1-65
1-66	1-66	1-66	1-66
1-67	1-67	1-67	1-67
1-68	1-68	1-68	1-68
1-69	1-69	1-69	1-69
1-70	1-70	1-70	1-70
1-71	1-71	1-71	1-71
1-72	1-72	1-72	1-72
1-73	1-73	1-73	1-73
1-74	1-74	1-74	1-74
1-75	1-75	1-75	1-75
1-76	1-76	1-76	1-76
1-77	1-77	1-77	1-77
1-78	1-78	1-78	1-78
1-79	1-79	1-79	1-79
1-80	1-80	1-80	1-80
1-81	1-81	1-81	1-81
1-82	1-82	1-82	1-82
1-83	1-83	1-83	1-83
1-84	1-84	1-84	1-84
1-85	1-85	1-85	1-85
1-86	1-86	1-86	1-86
1-87	1-87	1-87	1-87
1-88	1-88	1-88	1-88
1-89	1-89	1-89	1-89
1-90	1-90	1-90	1-90
1-91	1-91	1-91	1-91
1-92	1-92	1-92	1-92
1-93	1-93	1-93	1-93
1-94	1-94	1-94	1-94
1-95	1-95	1-95	1-95
1-96	1-96	1-96	1-96
1-97	1-97	1-97	1-97
1-98	1-98	1-98	1-98
1-99	1-99	1-99	1-99
1-100	1-100	1-100	1-100





**YAMAHA MOTOR CO., LTD.**

PRINTED IN JAPAN

First edition Dec., 1970

(1V3-2B198-E5)